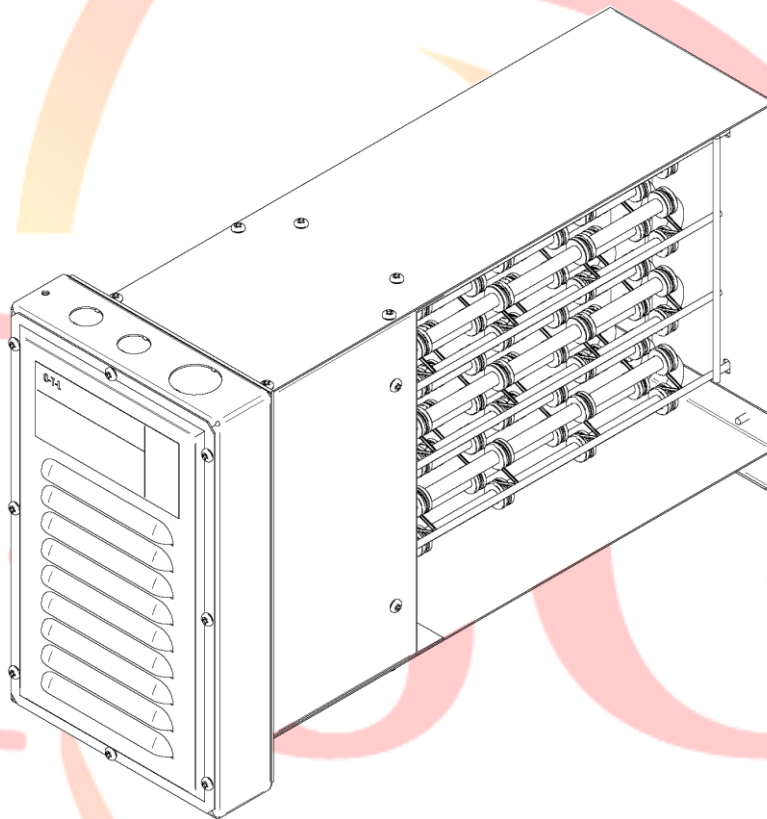


OPTIONAL ELECTRIC ELEMENT INSTALLATION (15 or 20 kW)

CADDY ALTERNA FURNACE

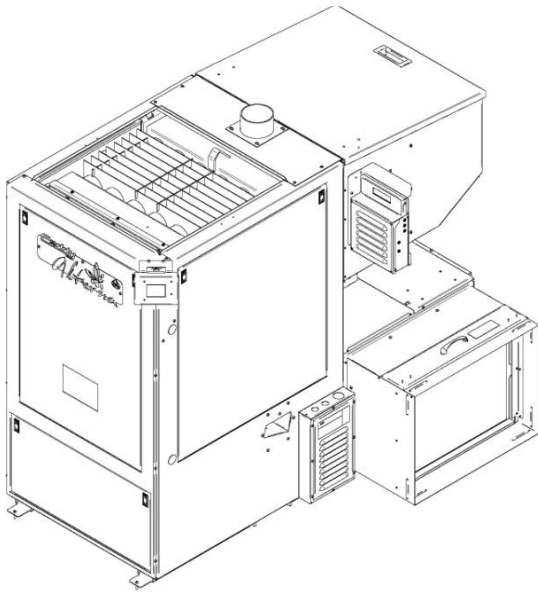


This manual is available for free download on the manufacturer's web site. It is a copyrighted document. Re-sale is strictly prohibited. The manufacturer may update this manual from time to time and cannot be responsible for problems, injuries, or damages arising out of the use of information contained in any manual obtained from unauthorized sources.

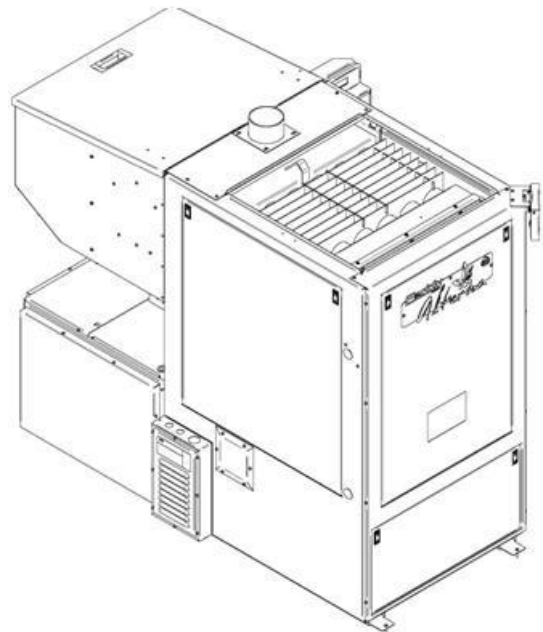
OPTIONAL ELECTRIC ELEMENT INSTALLATION

Your Caddy Alterna furnace can be installed with an optional electric element (15 or 20 kW). This option can be installed on either side of your furnace (right or left). The installation must be performed by a qualified professional.

Please note that the installation procedure is carried out in an identical way no matter which electric element is used (15kW or 20kW) or the chosen installation side (right or left).



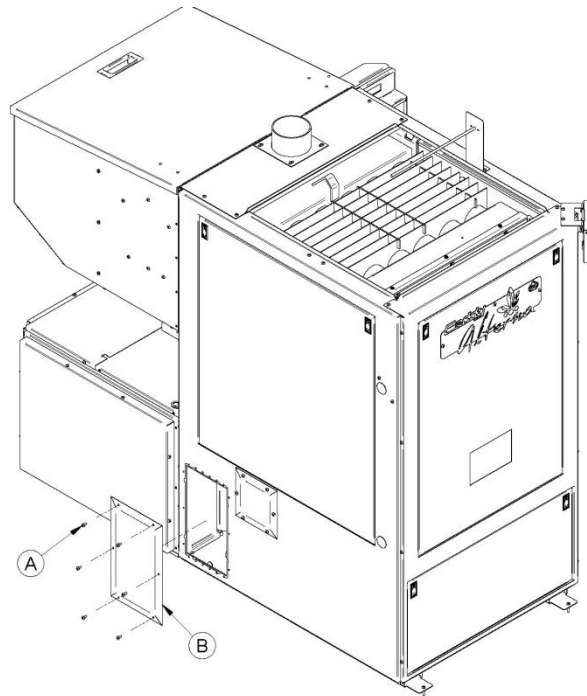
RIGHT SIDE INSTALLATION



LEFT SIDE INSTALLATION

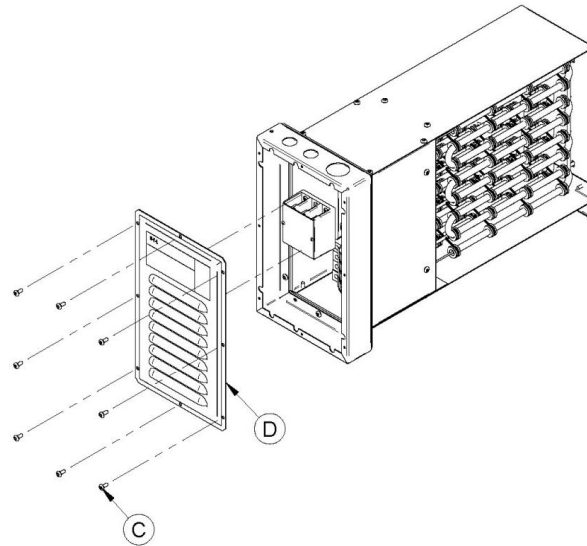
1

Remove cover for the electrical unit option (B) located on the desired side of the furnace by unscrewing the screws (A) maintaining it in place. Keep the screws, but you may dispose of the cover.



2

Remove the panel from the electric element box (D). Keep the screws (C).

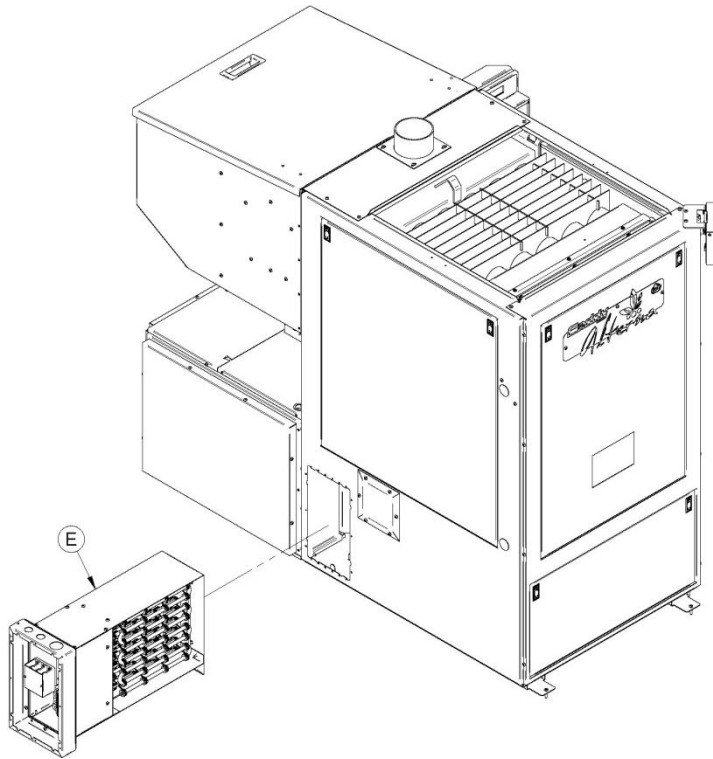


CAUTION:

Before installing the unit inside the furnace, it is advised to do the wiring connections of the element and its connection to the Main control board (See Appendix A). Please note that in order to use a single circuit breaker for the electrical unit and the Main control board, it is possible to hook up the Main control board from the electric element (see Appendix B).

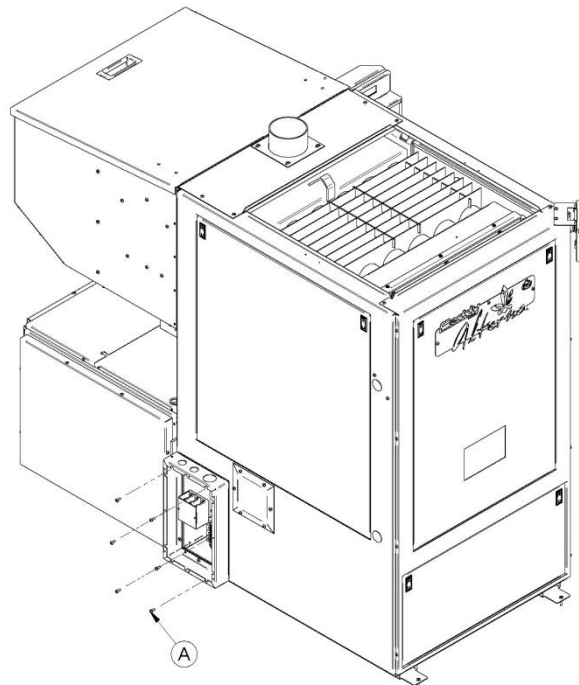
3

Once the wiring connections made (See Appendix A and/or Appendix B), you may install the electric element box (E) inside the furnace.



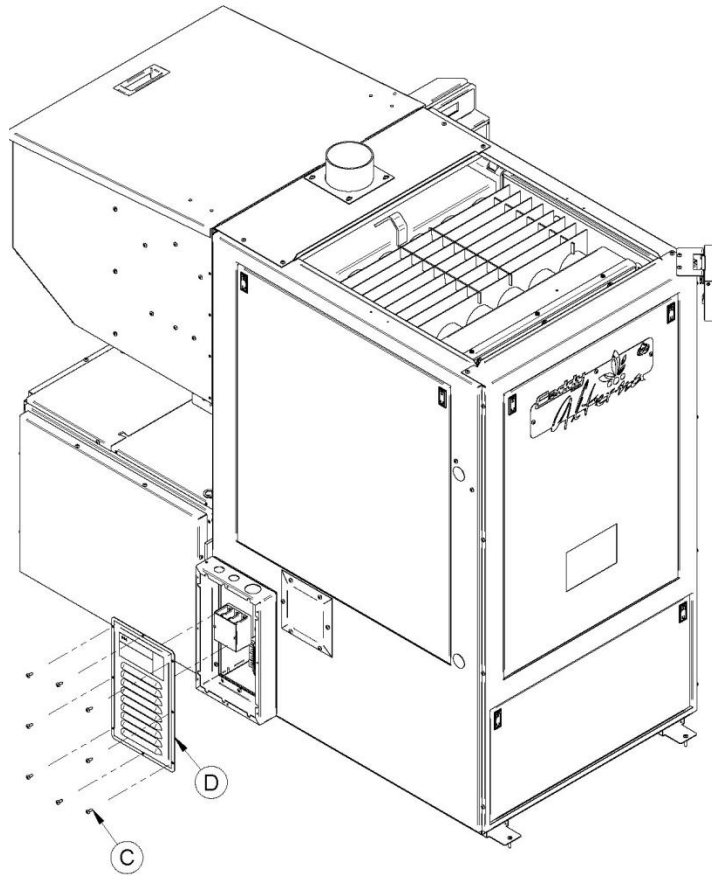
4

To secure the electric element box in place, use the six screws (A) kept from Step 1.



5

Secure the panel from the electric element box (D) with the 8 screws (C) kept from step 2.

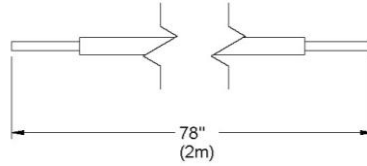


Annexe A

Electrical wiring and Main control board connections

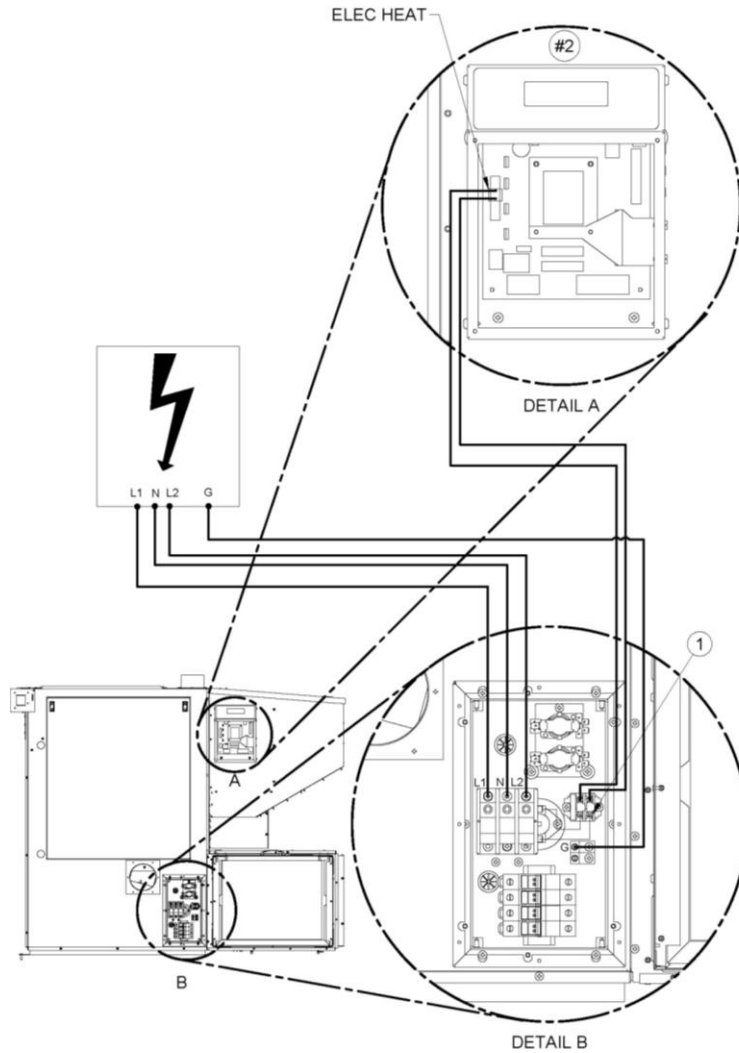
1

Use two wires (18 ga) (not included).
Skinned at both ends.



2

Connect the 2 wires to the « ELEC HEAT » terminal of the Main control board up to the terminal on the electrical element (1).

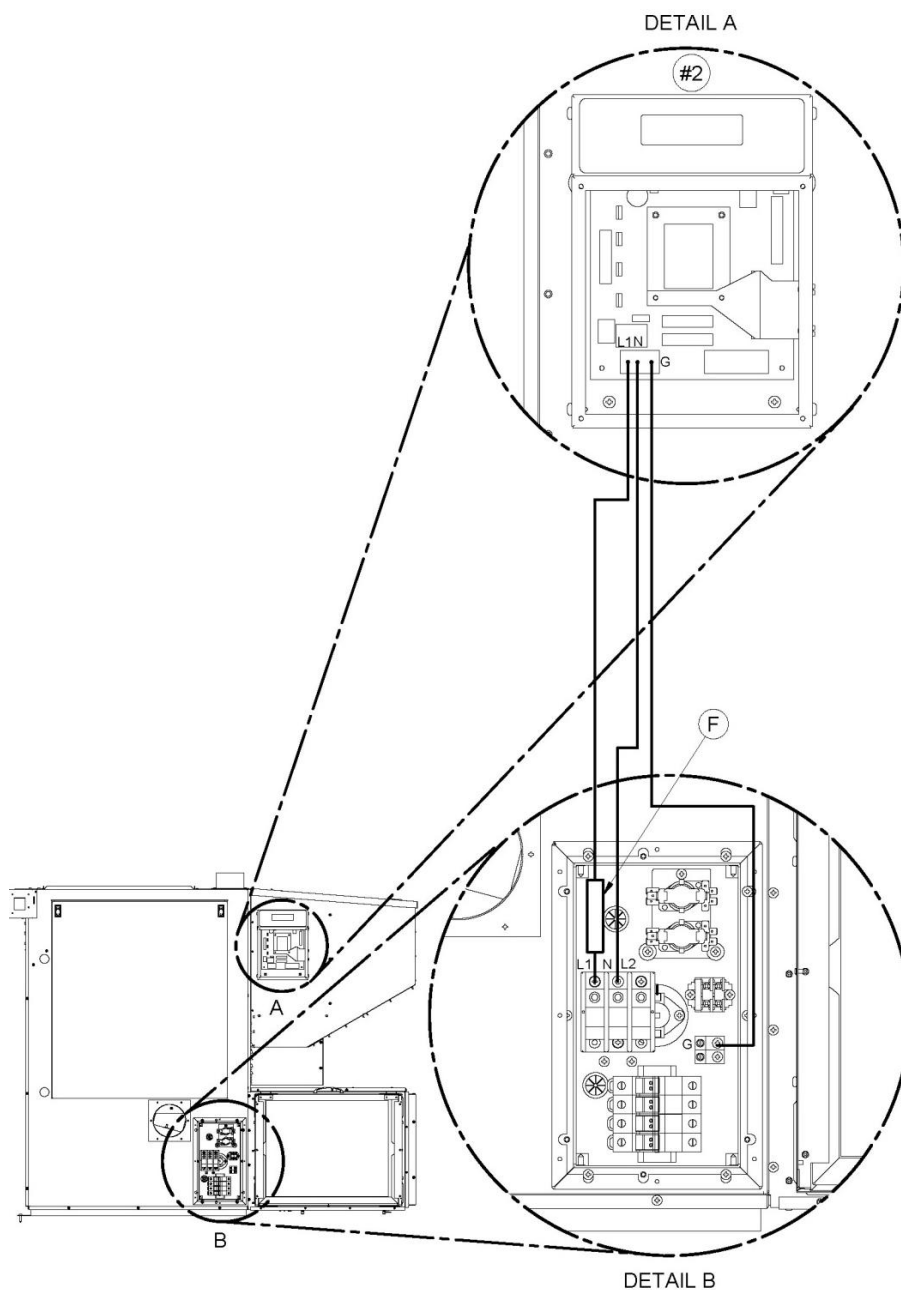


3

Hook up the main electrical supply to terminal L1, N, L2, G located on the electrical element.

Annexe B

Power supply of the Main control board from the electric element



CAUTION:

- When supplying the power of the Main control board from the electrical element, always use the fuse (F) that is included with the electric element box.
- For the electrical connection and the connection to the Main control board please follow the 3 steps in Appendix A.

STOVE BUILDER INTERNATIONAL INC.

250, de Copenhague, Saint-Augustin-de-Desmaures (Quebec), Canada G3A 2H3

Tel: (418) 878-3040

Fax: (418) 878-3001