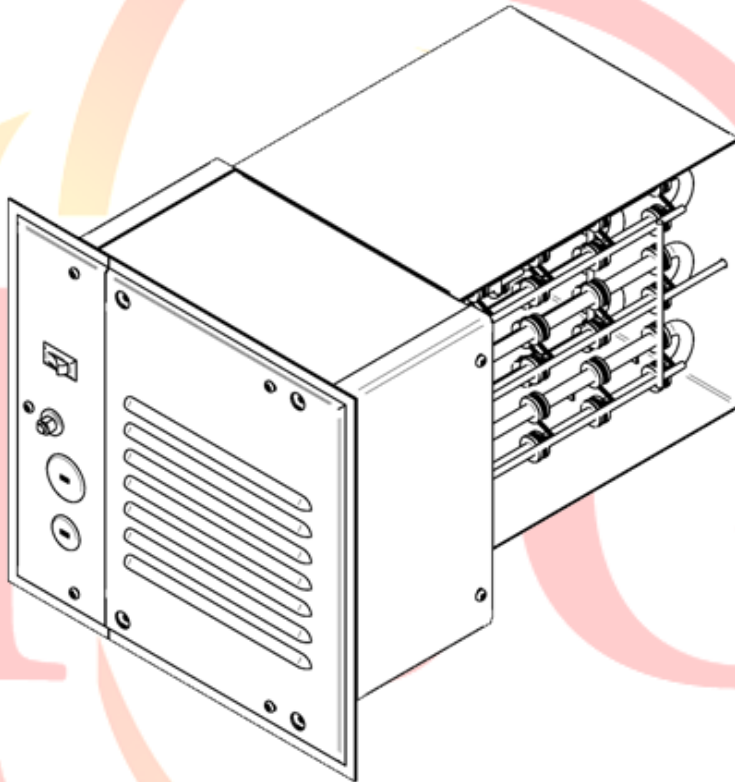


OPTIONAL ELECTRIC ELEMENT INSTALLATION (11.25 kW)

MINI-CADDY FURNACE PA08000



This manual is available for free download on the manufacturer's web site. It is a copyrighted document. Re-sale is strictly prohibited. The manufacturer may update this manual from time to time and cannot be responsible for problems, injuries, or damages arising out of the use of information contained in any manual obtained from unauthorized sources.

STOVE BUILDER INTERNATIONAL INC.

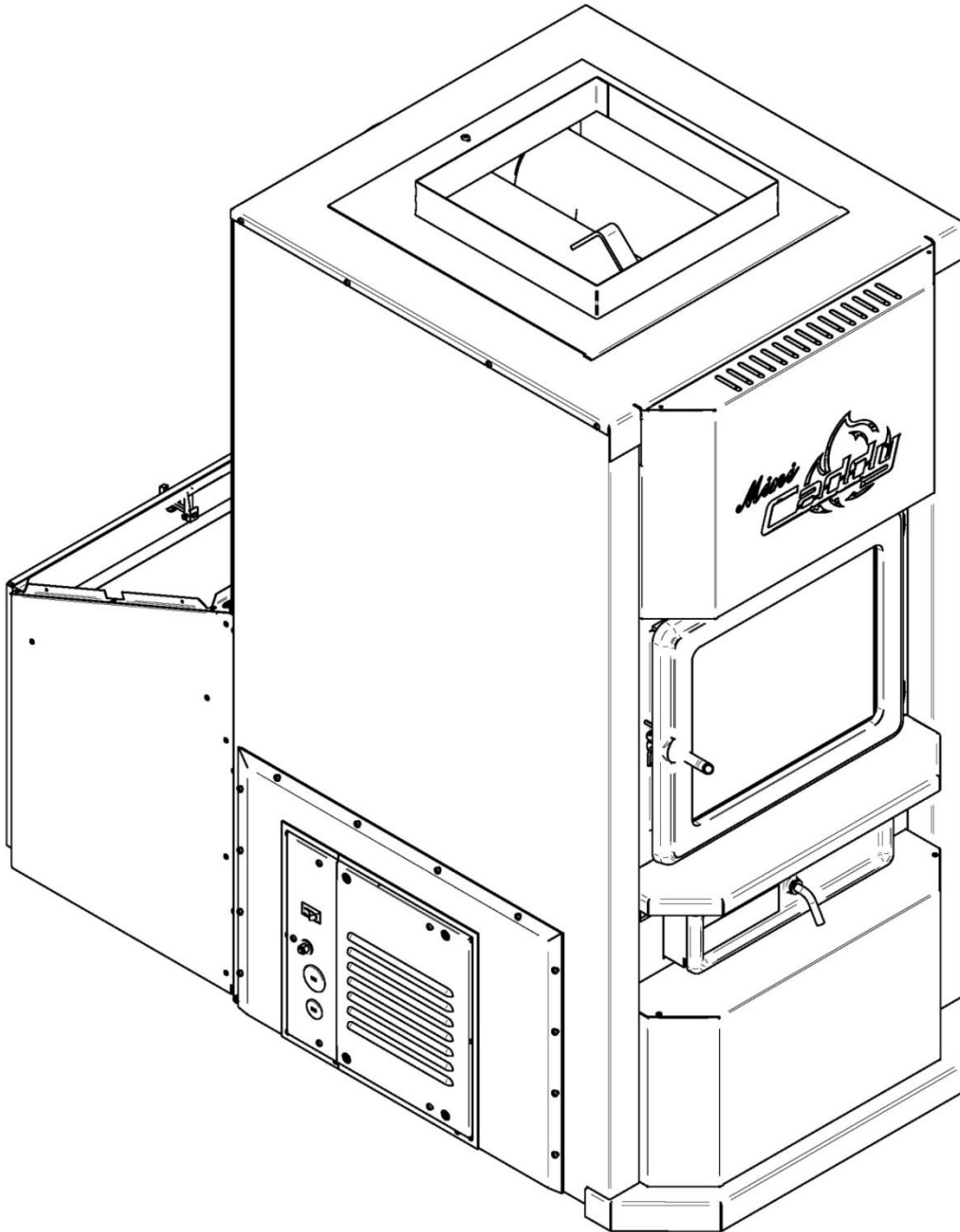
250, de Copenhague, Saint-Augustin-de-Desmaures (Quebec), Canada G3A 2H3

Tel: (418) 878-3040

Fax: (418) 878-3001

OPTIONAL ELECTRIC ELEMENT INSTALLATION

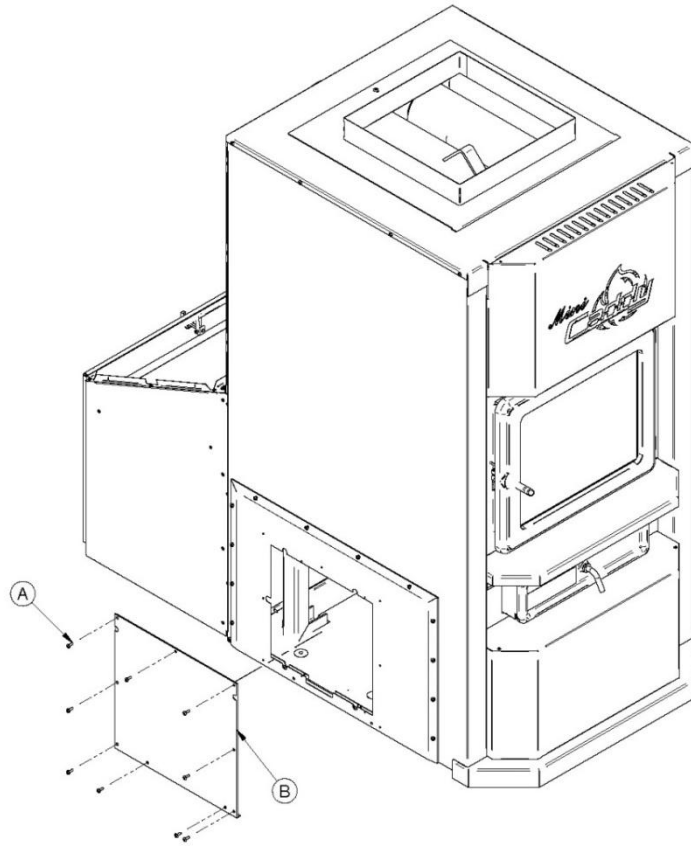
Your Mini-Caddy furnace can be installed with an optional electric element (11.25 kW). The installation must be performed by a qualified professional.



Note: The cabled fan limit control and the blower cable are included in this kit

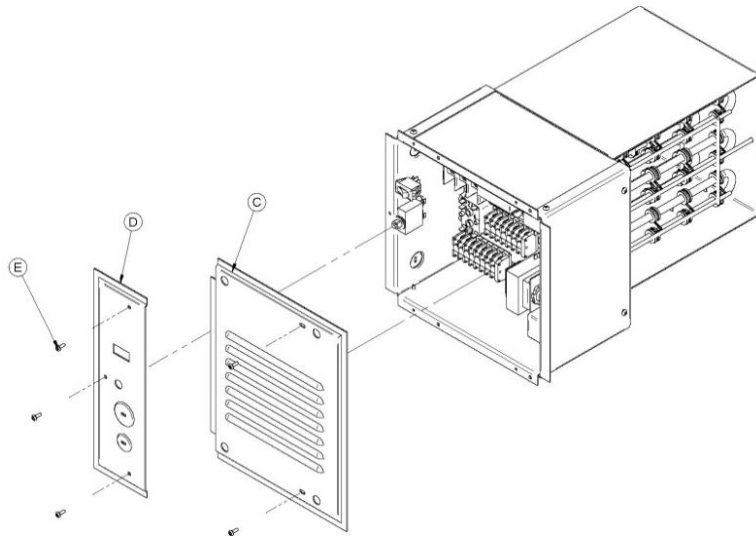
1

Remove the screws (A) securing the electric unit access panel (B) to the left side of the furnace. Keep the screws, but you may dispose of the cover.



2

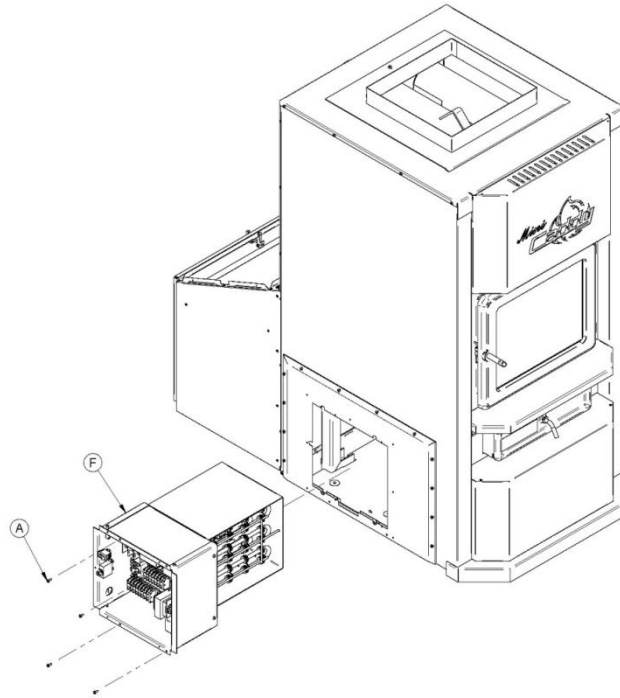
Remove the panels ((C) and (D)) from the electric element option. Keep the screws (E).



3

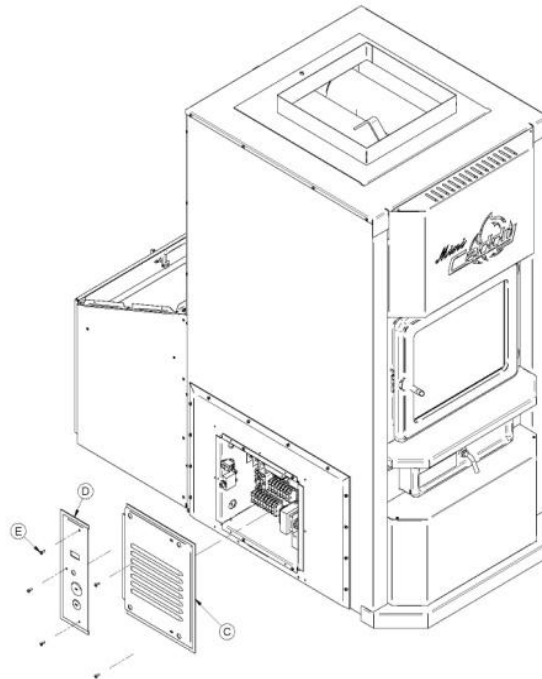
Once the wiring as per **Appendix 1** is completed, slide the electric element assembly (F) into the left hand side opening in the furnace cabinet.

To secure the electric element box to the furnace, use four out of the eight screws (A) kept in **Step 1**. You may dispose of the remaining screws.



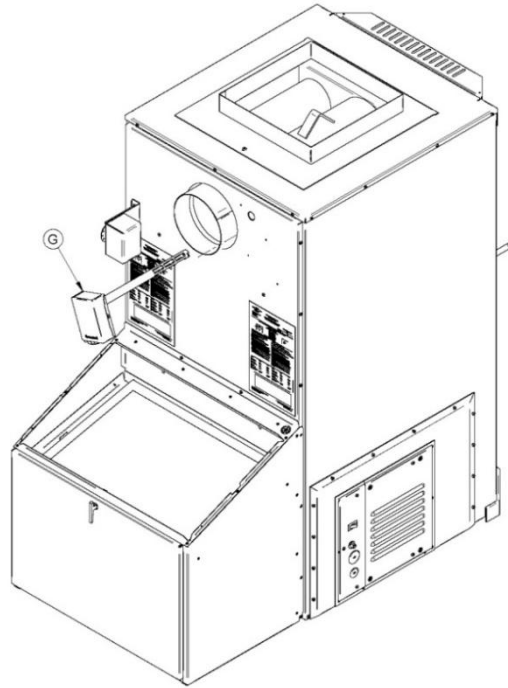
4

Secure the electric element panels (C) and (D) with the screws kept in **Step 2**.



5

Install the fan limit control (G) supplied with the electric element. Remove the control's cover. Slide the control's probe in the opening located in the upper right corner next to the flue outlet. Secure the fan limit control with the screws (not supplied) in the holes intended for this purpose. Put back the control's cover.

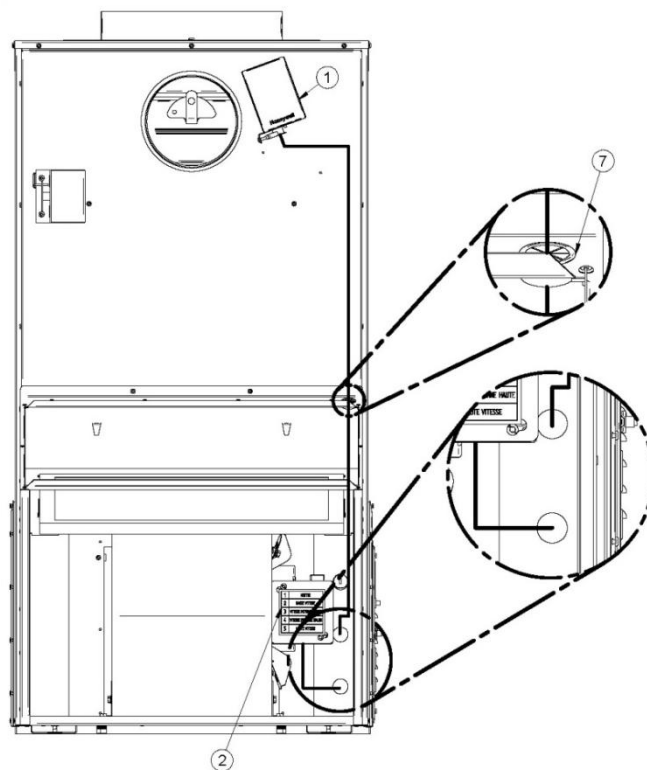


6

Using a flat screwdriver, remove the three knockouts in the bottom-right corner of the furnace.

Run the "BX" cable from the fan limit control (1) through the middle opening made previously. Run the "BX" cable through the hole intended for that purpose (7).

Run the short "BX" cable (supplied) from the blower (2) through the bottom opening made previously.



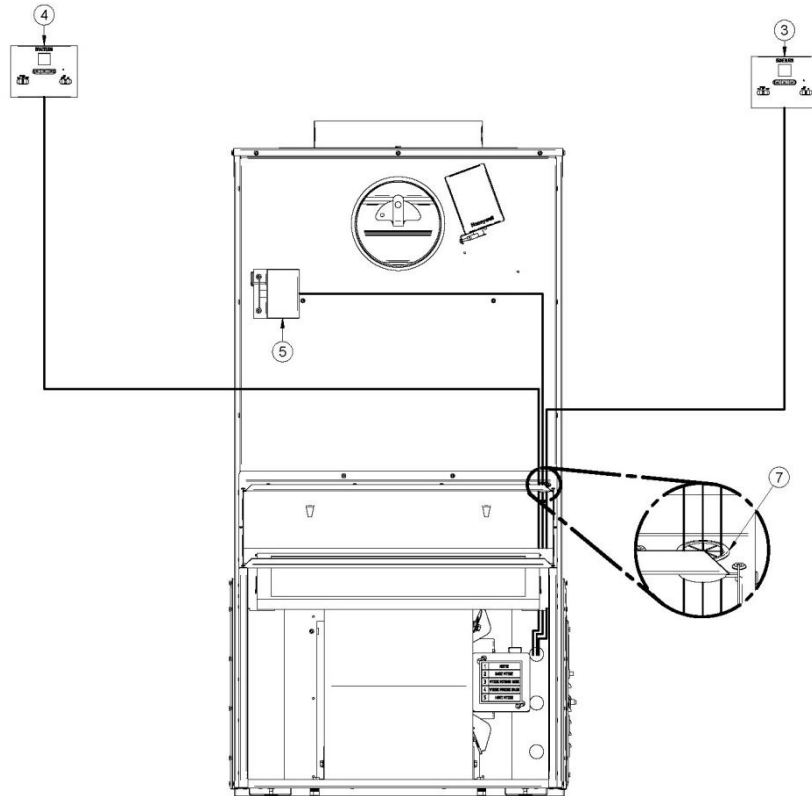
7

Run an 18-2 cable (not supplied) from the thermostat (3) included with your furnace through the top opening made in **Step 6**.

Run an 18-2 cable (not supplied) from the thermostat (4) included with your electric element through the top opening made in **Step 6**.

Run an 18-2 cable (not supplied) from the servomotor (5) through the top opening made in **Step 6**.

Run your cables through the hole provided to run the 18-2 cables (7).



Here's where the cables should run from **Steps 6** and **7**.

Top knockout:

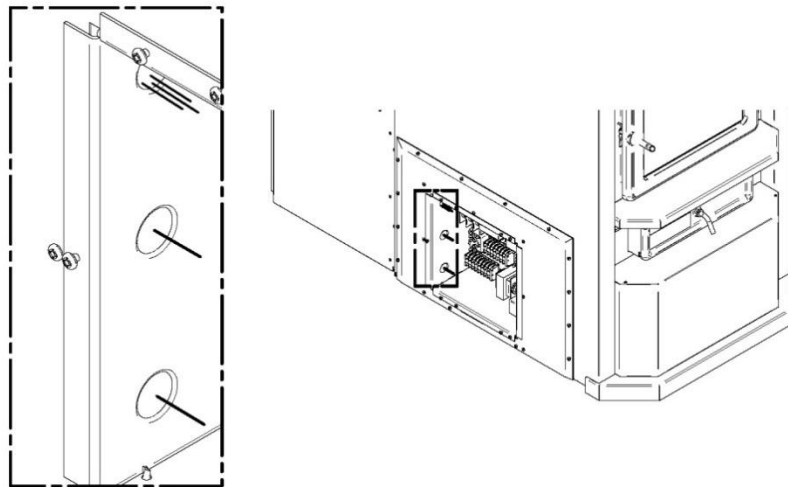
Cables coming from both thermostats and from the servomotor.

Middle knockout:

Cable coming from the fan limit control.

Bottom knockout:

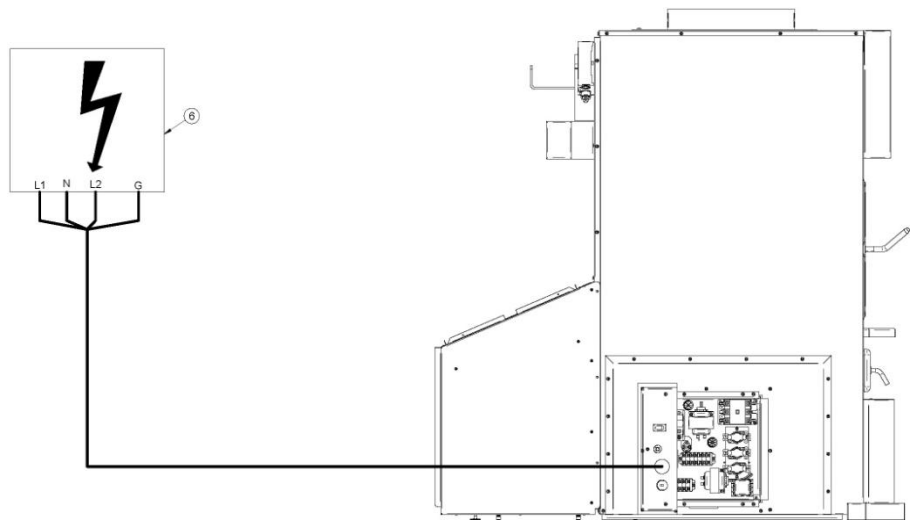
Cable coming from the blower.



8

Using a flat screwdriver, remove the largest knockout located on the left access panel of the electric element.

Run the feeder cable (not supplied) from the house main entrance (6) through the opening made in the left access panel.



Note: Refer to electrical diagram for wiring.

APPENDIX 1 – ELECTRICAL DIAGRAM

