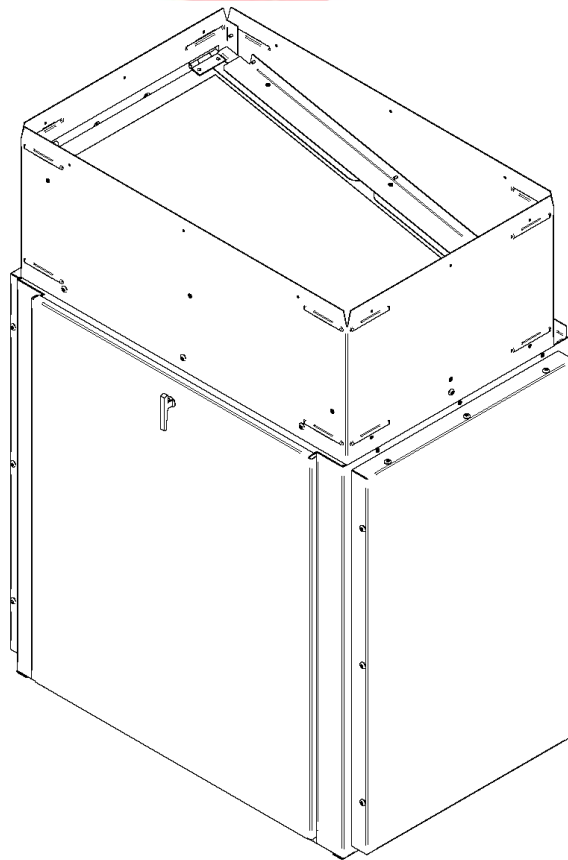


INSTALLATION INSTRUCTIONS FOR THE BLOWER BOX ASSEMBLY, THE COLD AIR SUPPORT AND THE FAN LIMIT CONTROL

PA08568

CADDY FURNACE



This manual is available for free download on the manufacturer's web site. It is a copyrighted document. Re-sale is strictly prohibited. The manufacturer may update this manual from time to time and cannot be responsible for problems, injuries, or damages arising out of the use of information contained in any manual obtained from unauthorized sources.

Table of content

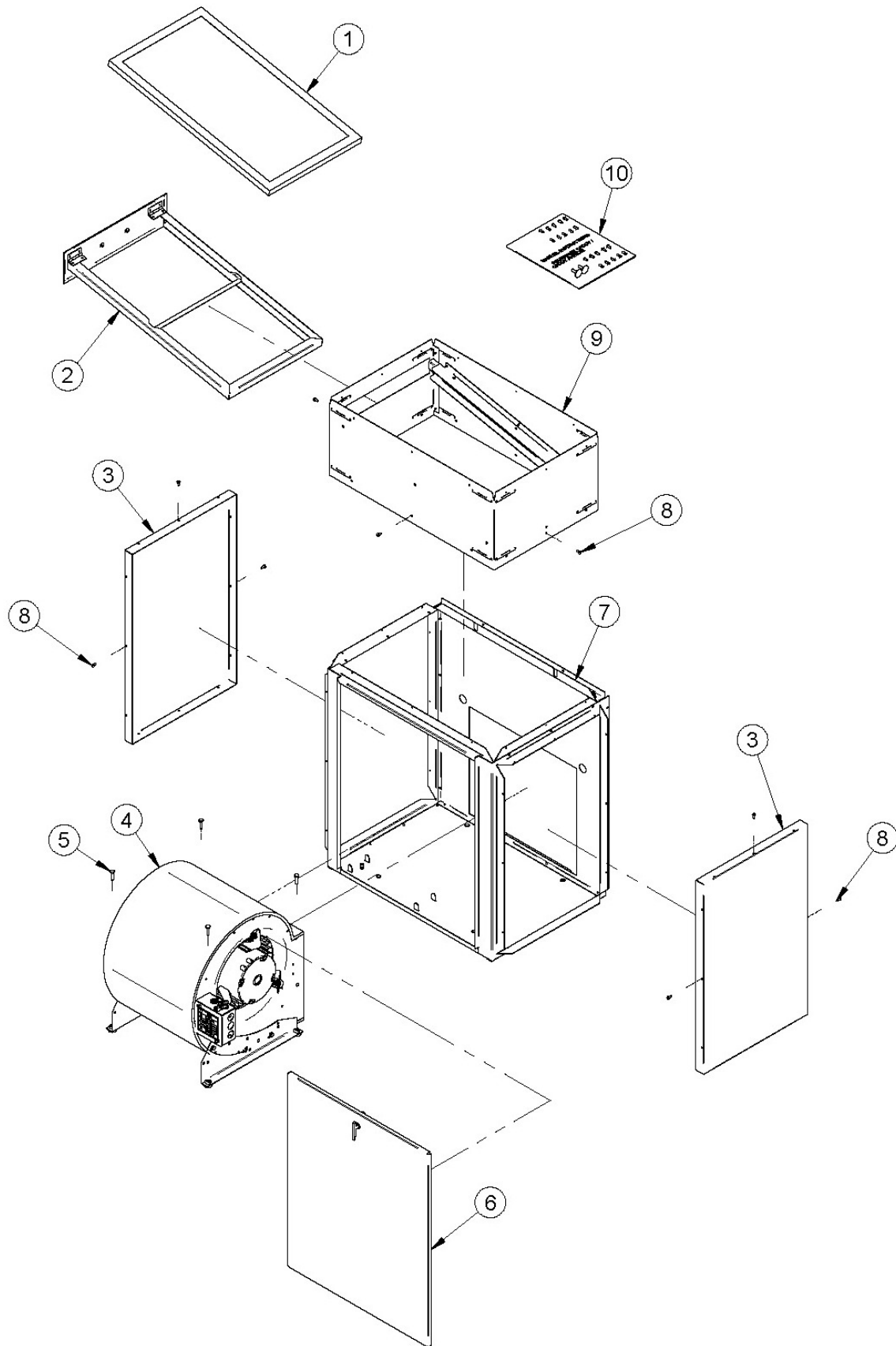
1. BLOWER BOX ASSEMBLY INSTALLATION 5
 2. COLD AIR DUCT SUPPORT INSTALLATION..... 9
 2.1. Installation on TOP 9
 2.2. Installation on the RIGHT side 10
 2.3. Installation on the LEFT side..... 11
 3. INSTALLATION OF THE FAN LIMIT CONTROL FOR CADDY WOOD ONLY FURNACE . 12
 4. Appendix 1 - Connecting all elements of the Caddy wood only furnace 13
 5. Appendix 2 – Wiring diagram 16

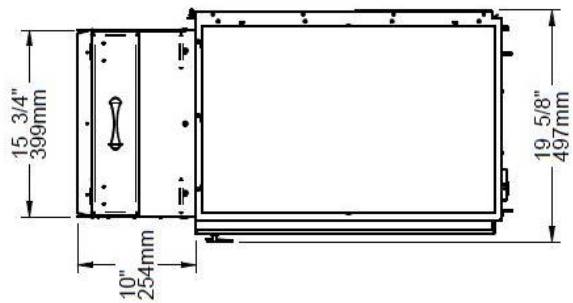
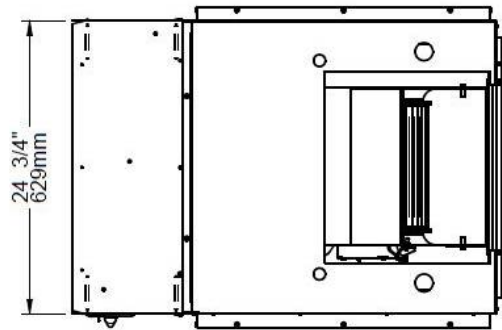
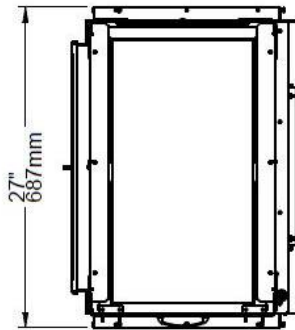
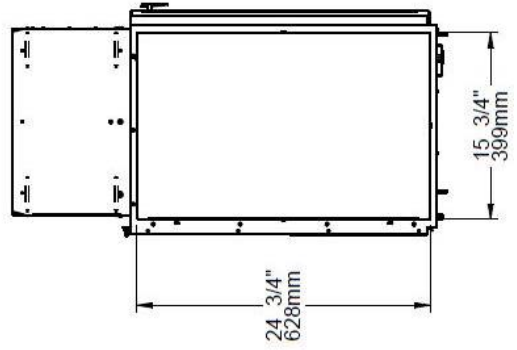
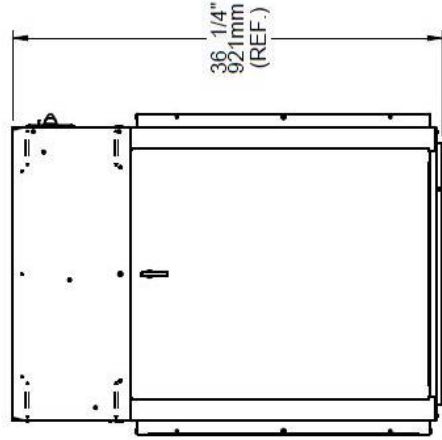
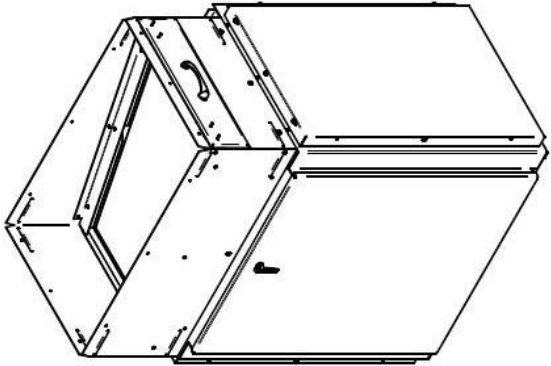
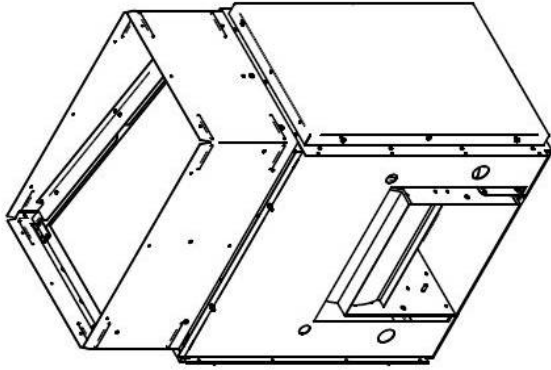
The blower assembly contains:

CONTENT OF THE BOX - PA08568		
1	CARDBOARD AIR FILTER 25" X 14" X1"	1x
2	FILTER SUPPORT ASSEMBLY	1x
3	LID PANEL	2x
4	G10 BLOWER ASSEMBLY WITH 1/3HP MOTOR	1x
5	1/4"-20 X 1" HEXAGONAL BOLT	4x
6	BLOWER ASSEMBLY ACCESS DOOR	1x
7	BLOWER BOX ASSEMBLY	1x
8	METAL SCREWS #10 X 1/2" TYPE "A" PAN QUADREX	9x
9	COLD AIR DUCT SUPPORT ASSEMBLY	1x
10	BLOWER ASSEMBLY MANUAL KIT	1x
	ELEVATOR BOLTS	2x
	METAL SCREWS #10 X 1/2" TYPE "A" PAN QUADREX	20x

PSG

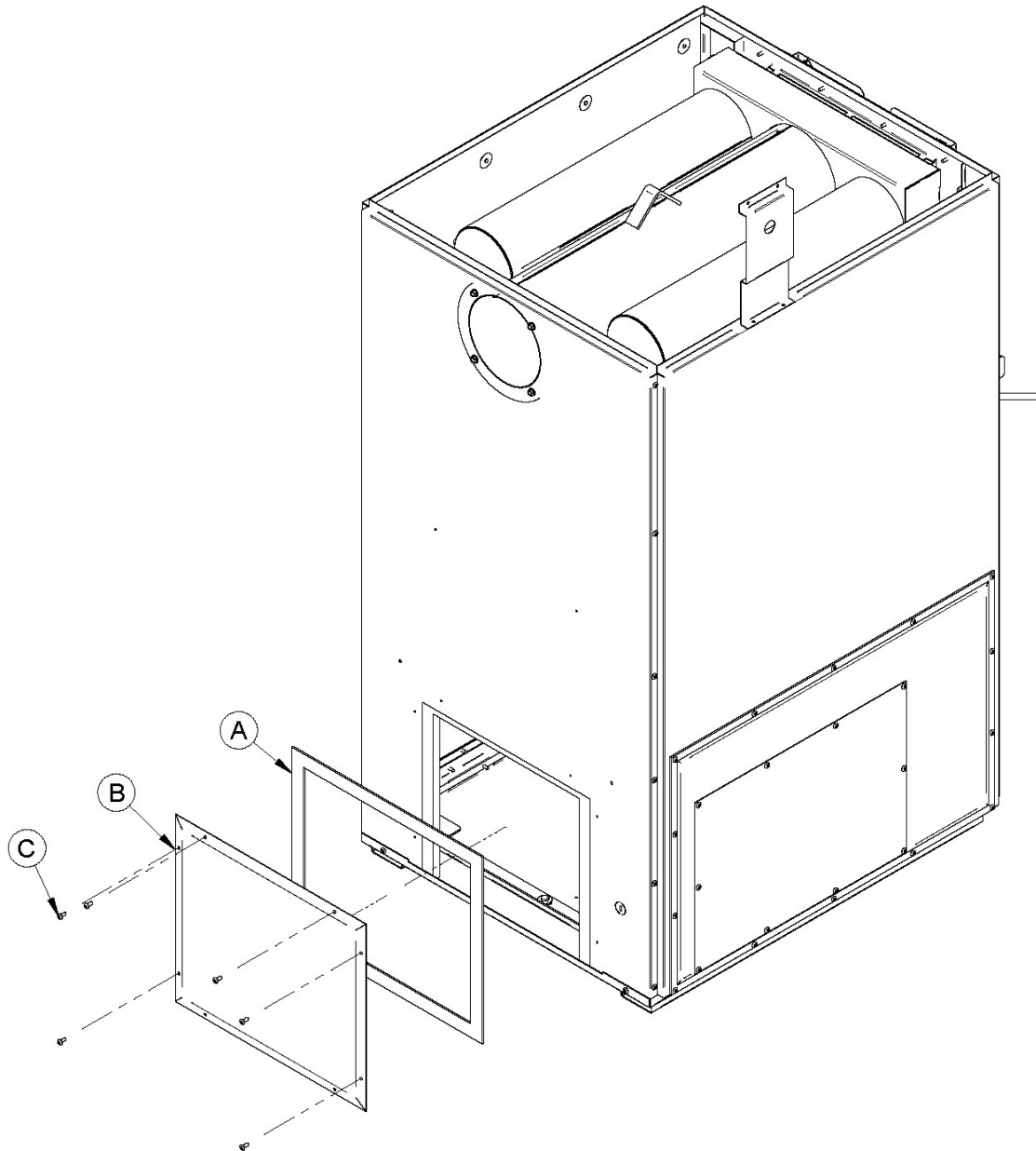
250, de Copenhagen,
 Saint-Augustin-de-Desmaures (Québec)
 Canada G3A 2H3
Tel: (418) 878-3040
Fax: (418) 878-3001



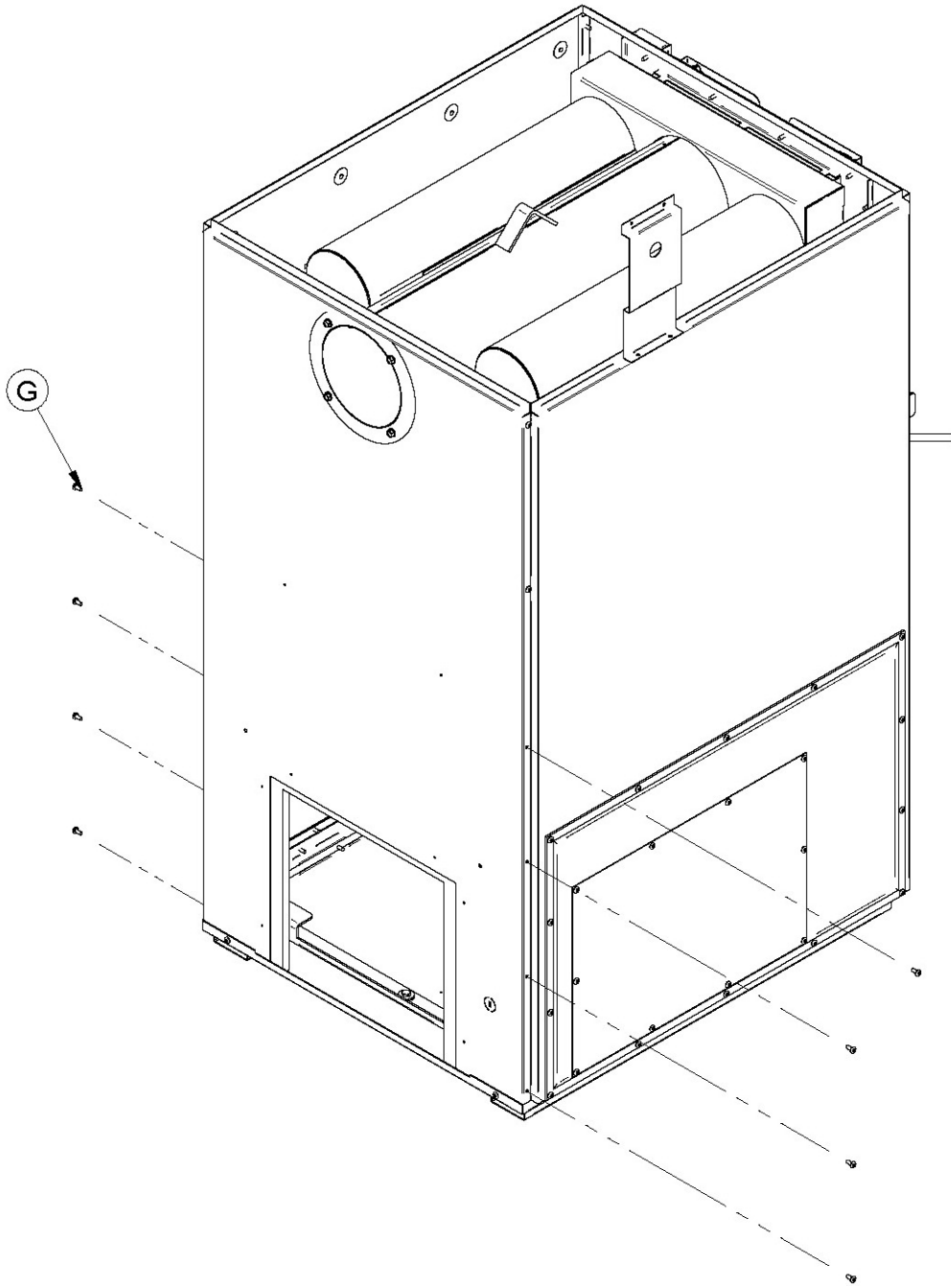


1. BLOWER BOX ASSEMBLY INSTALLATION

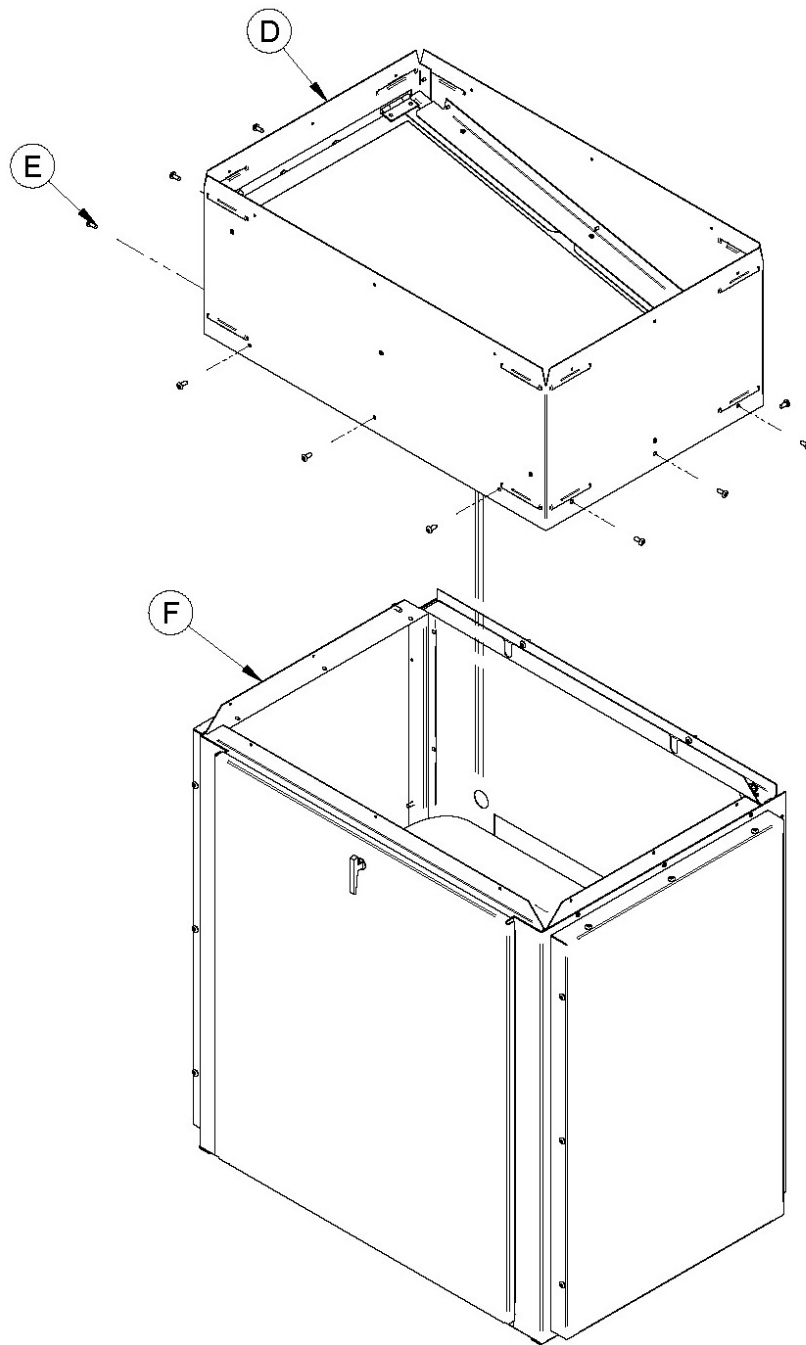
Step 1: Unscrew the six screws (C) to remove the panel (B) located on the back of the furnace to install the blower box assembly. Remove the gasket (A) and discard.



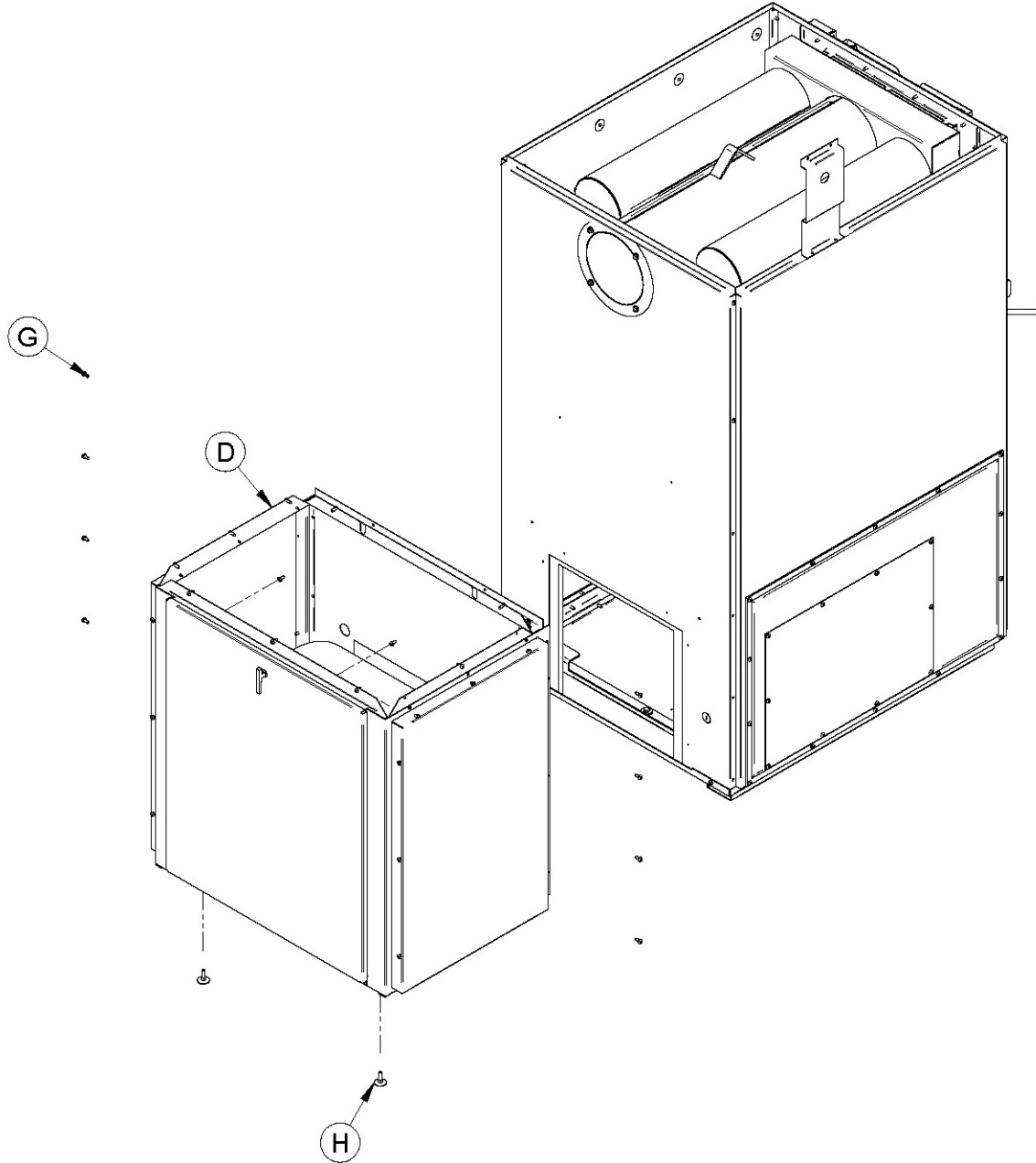
Step 2: Unscrew the eight screws (G) on the furnace, as shown. Keep.



Step 3: Unscrew the screws (E) securing the cold air duct support assembly (D) to the blower box assembly (F) as shown. Remove the duct support. Keep.



Step 4: Install the elevator bolts (H), provided with the assembly, under the blower box assembly in the holes intended for this purpose. Secure the blower box (D) to the furnace with the screws (G) removed in **Step 2**. Level your blower box using the elevator bolts.



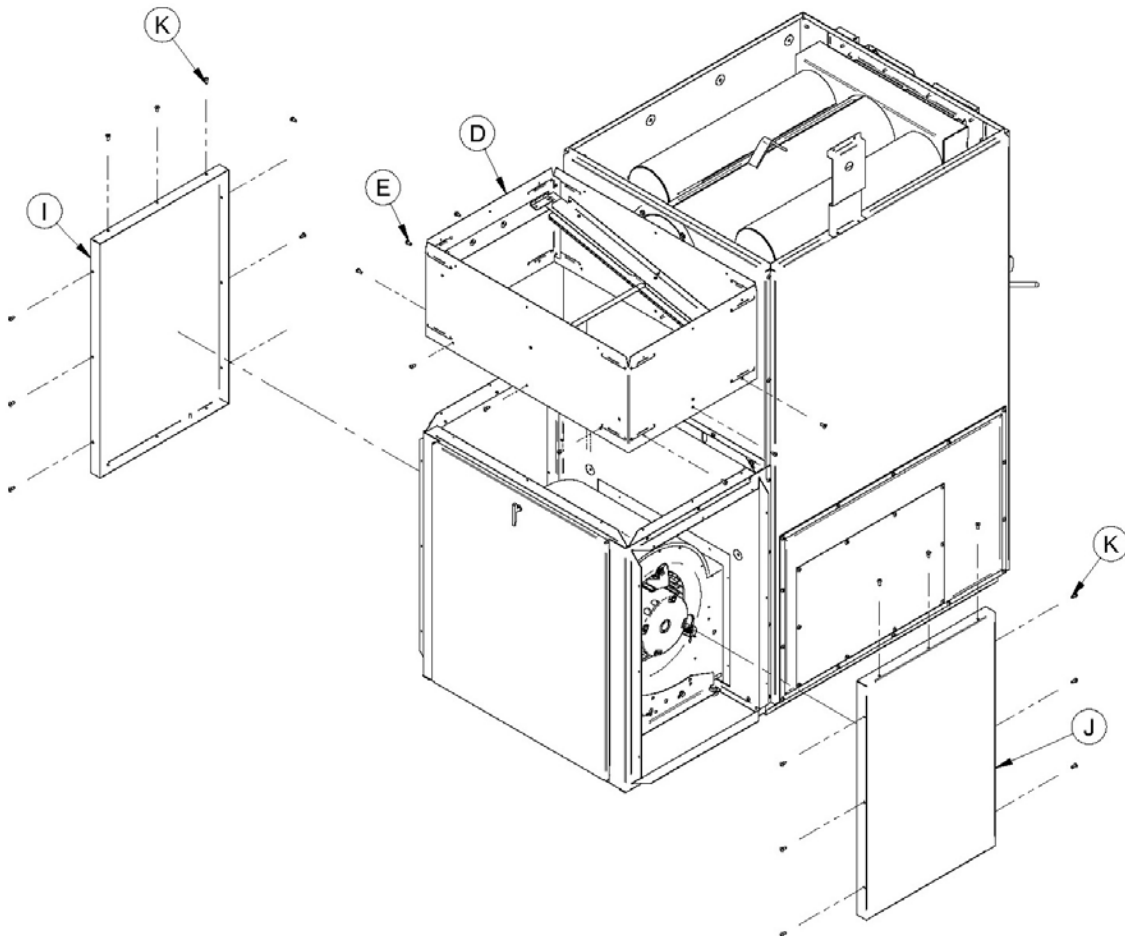
2. COLD AIR DUCT SUPPORT INSTALLATION

Step 5: You can install the cold air duct support on **TOP**, on the **RIGHT** side or on the **LEFT** side of the blower box.

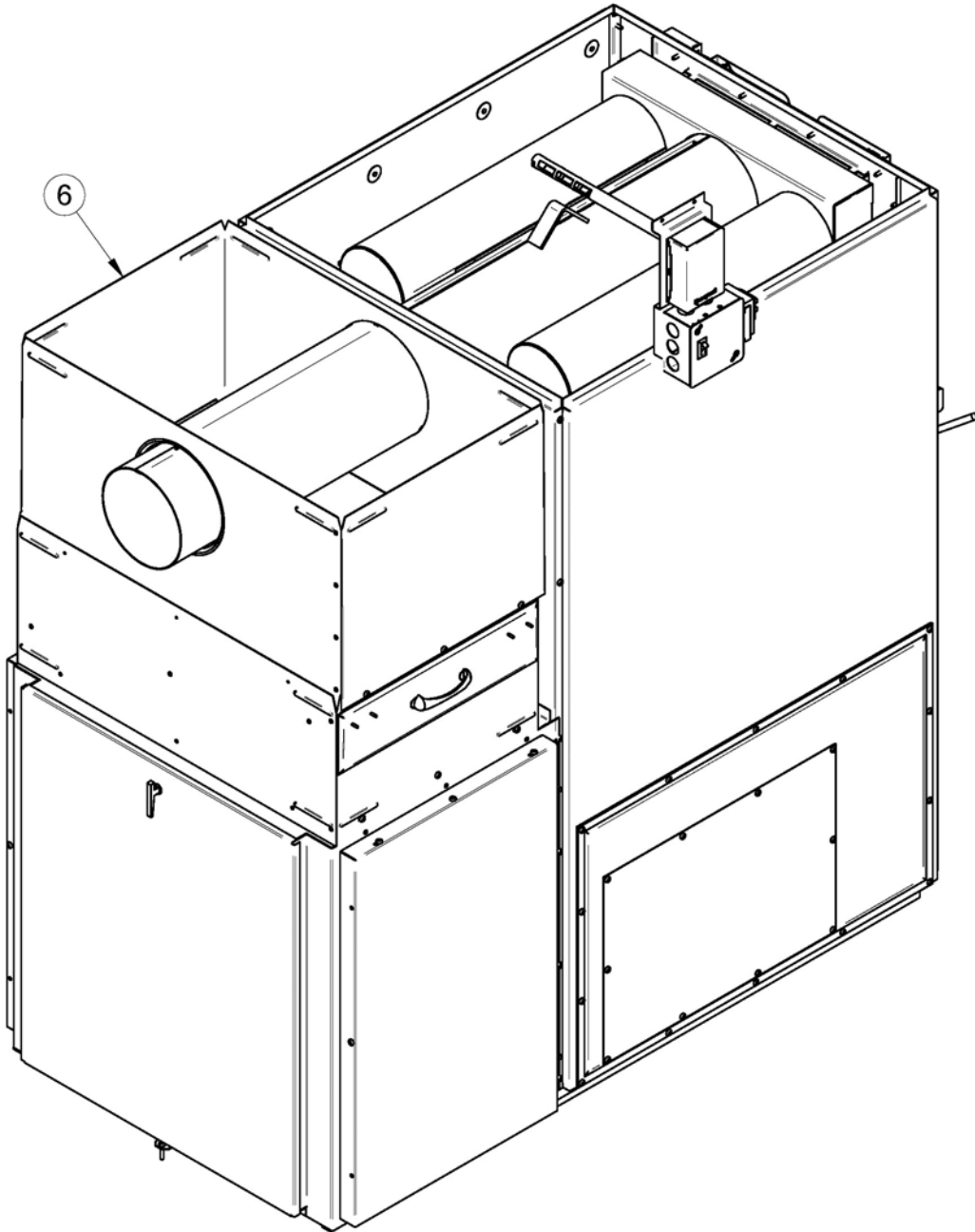
IMPORTANT: if you decide to install the cold air duct support on top, you will need to purchase and install the cold air plenum kit PA08505, sold separately.

2.1. Installation on TOP

Secure the lid panels (I and J) to the blower box with screws (K) provided. Then, secure the cold air duct support (D) on top of the blower box with screws (E) kept from step 3, as shown.

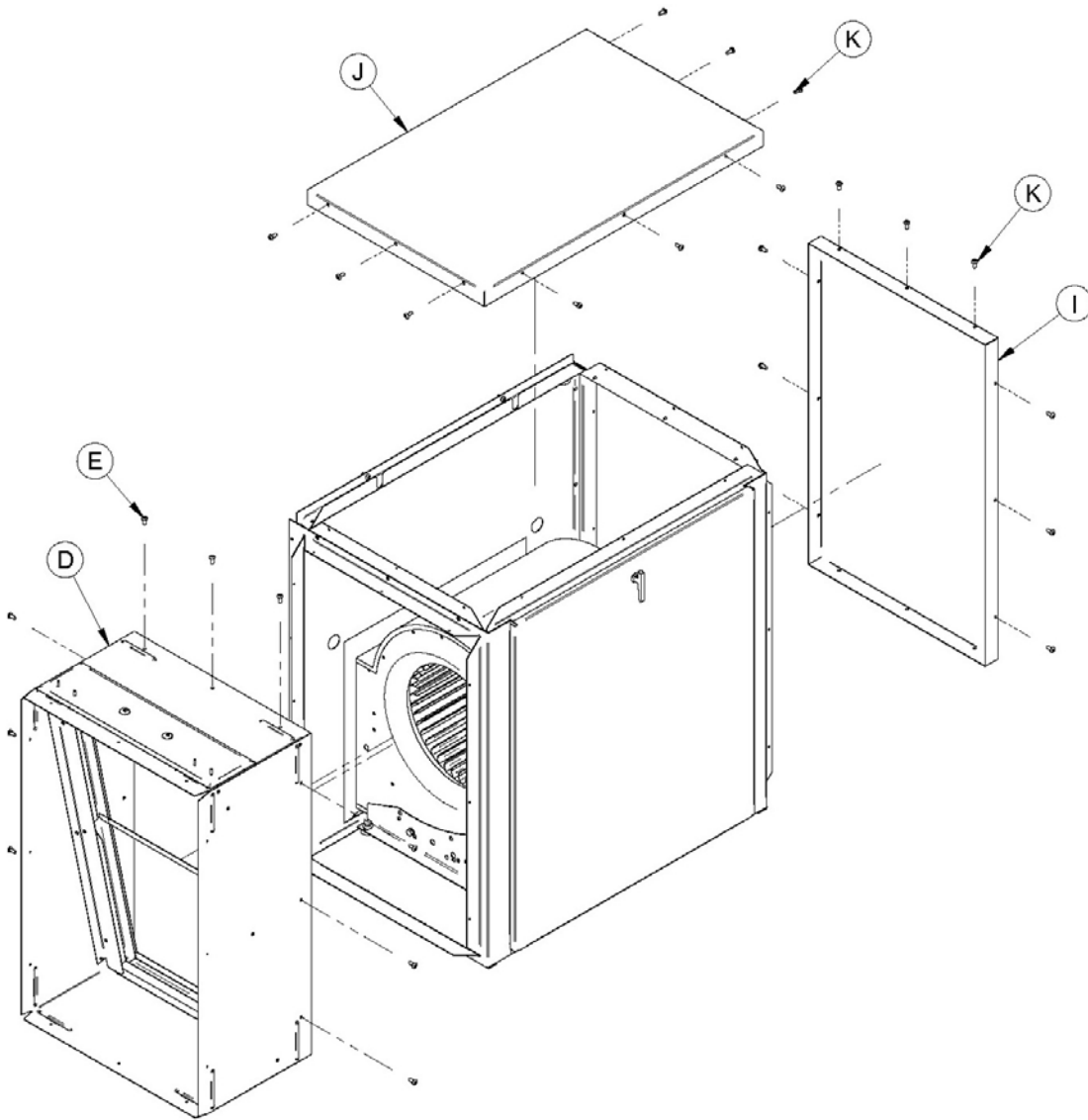


Once the cold air duct support is installed, you can install the cold air plenum support PA08505 (6). Installation instructions are provided with the kit, sold separately.



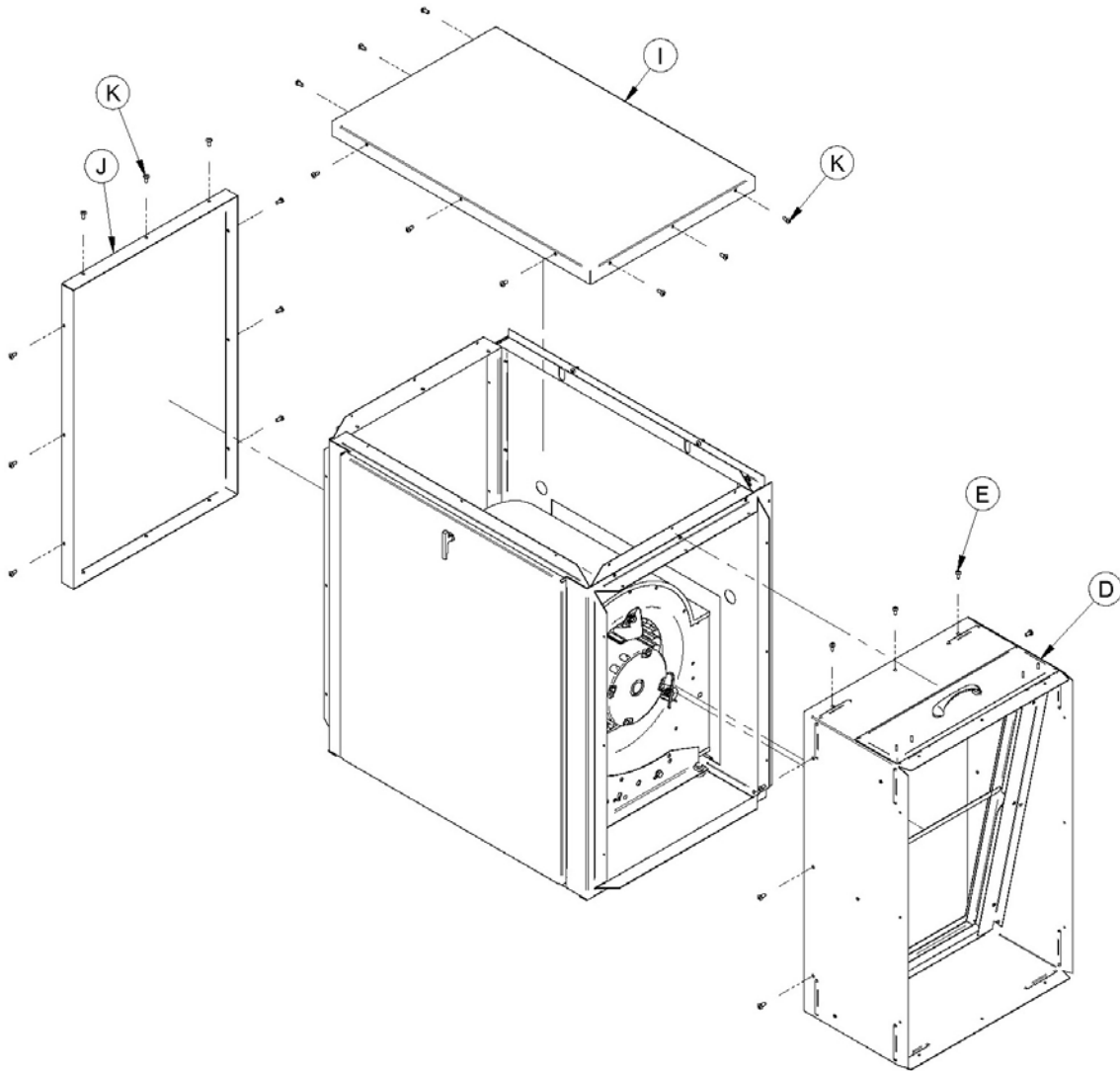
2.2. Installation on the RIGHT side

Secure the right side lid panel (J) on top of the blower box with screws (K) provided. Secure the left side lid panel (J) on top of the blower box with screws (K) provided. Finally, secure the cold air duct support (D) on the right side of the blower box with screws (E) kept from step 3, as shown.



2.3. Installation on the LEFT side

Secure the left side lid panel (J) on top of the blower box with screws (K) provided. Secure the right side lid panel (J) on top of the blower box with screws (K) provided. Finally, cold air duct support (D) on the left side of the blower box with screws (E) kept from step 3, as shown.



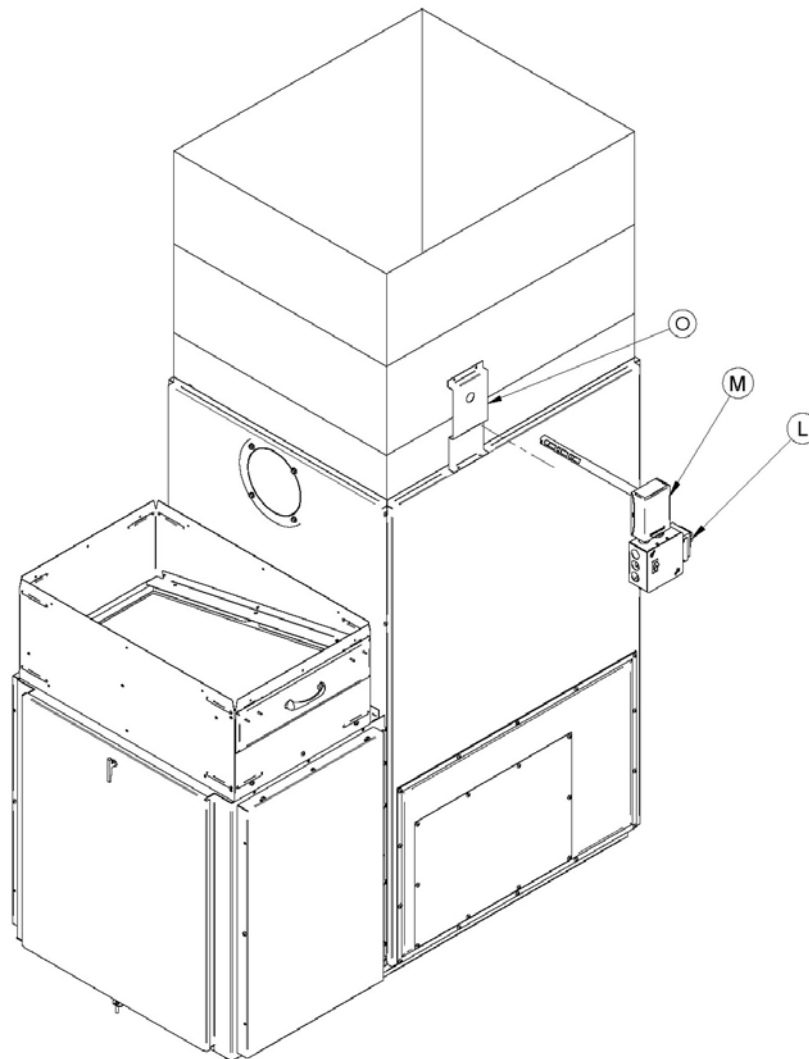
3. INSTALLATION OF THE FAN LIMIT CONTROL FOR CADDY WOOD ONLY FURNACE

Step 6:

Note: the fan limit control (M) PA00500 is not provided with the furnace.

Secure the wood fan limit control bracket (O) provided with your furnace, on the top edge of the left or right side of the unit (*two holes on each side have already been drilled on the edges of the furnace*).

Remove the covers from the wood fan limit control assembly (M, L). Drill a hole in the plenum, across from the hole in the support bracket. Slide the fan limit control's probe in the opening on the support bracket and into the plenum. Secure the fan limit control (M) on the support bracket with self-taping screws, not provided. Once the wiring as per **Appendix 1** is performed, put the covers back on.



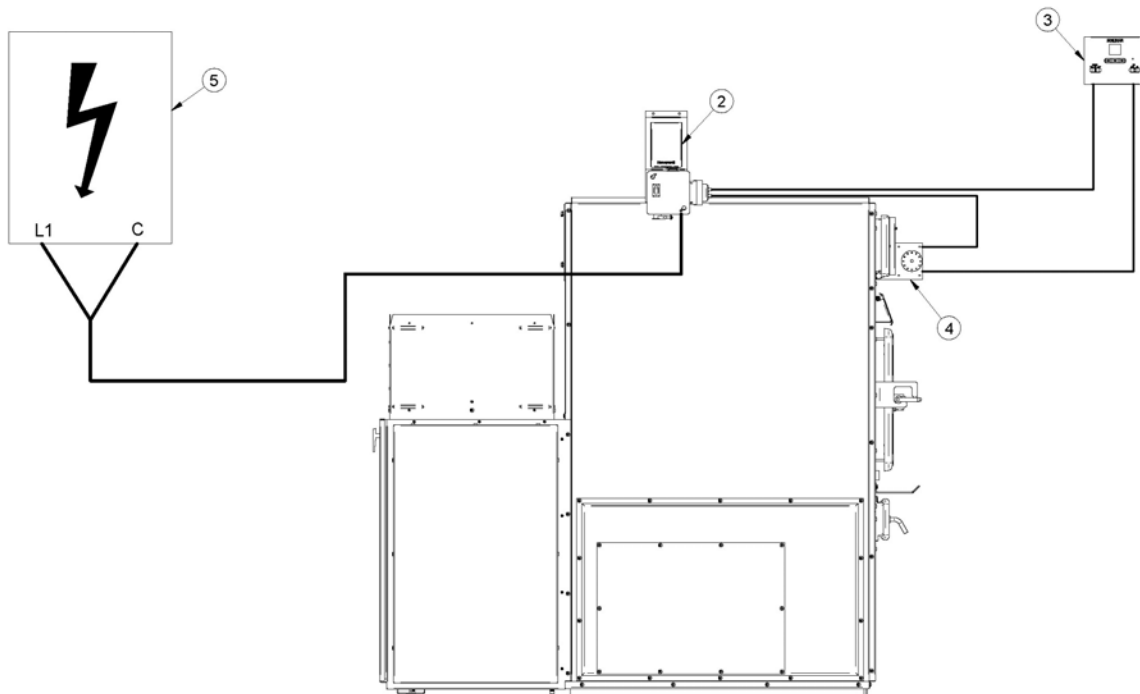
4. Appendix 1 - Connecting all elements of the Caddy wood only furnace

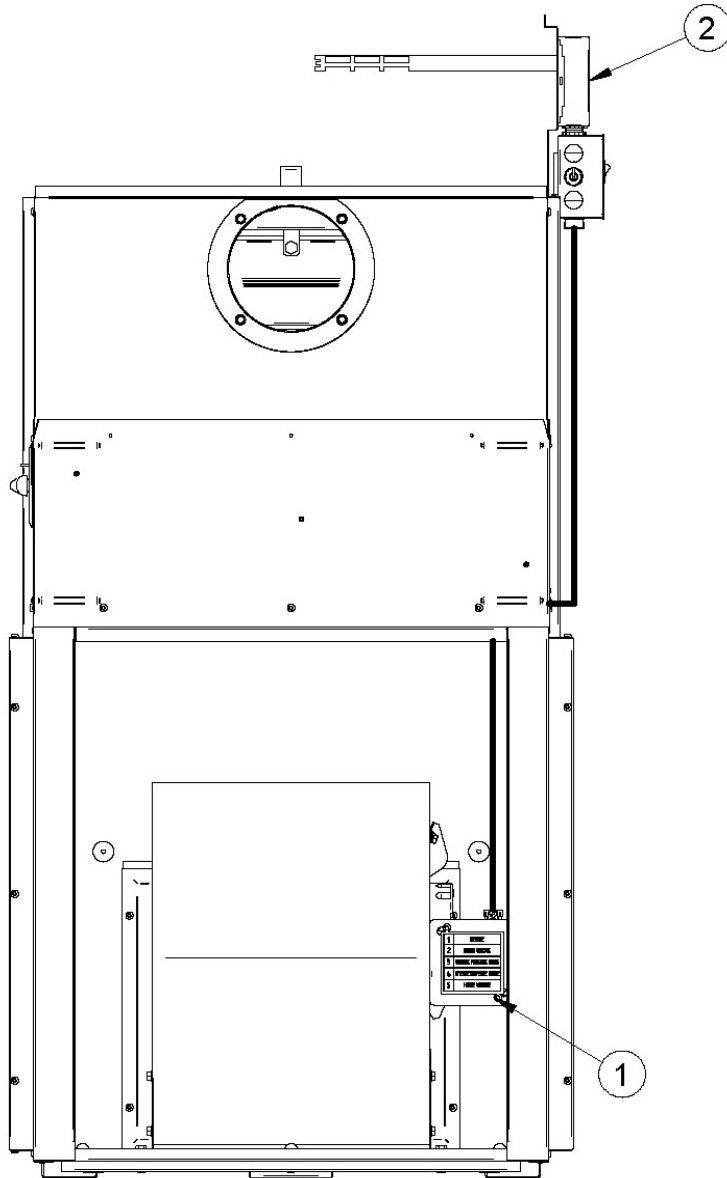
Valid only for the Caddy wood only option. For wood-electric or wood-oil combination, refer to owner's manual.

N.B.: Cables mentioned in the following steps are not provided with the fan limit control, except the one feeding the blower.

- Bring a 14-2 cable from the power supply control panel (5) to the fan limit control's junction box (2).
- Bring the cable from the fan limit control's junction box (2) (connected at the factory) to the blower (1). Pass the cable through the hole provided for this purpose on the top edge of the blower box assembly (see drawing on next page.)
- Bring a 18-2 cable from the thermostat (3) to the fan limit transformer (2).
- Bring a 18-2 cable from the servomotor (4) to the fan limit transformer (2).
- Make your connections as per **Appendix 2**.

* Note for installation: When connecting the blower, it is suggested to use the speed "LOW" (summer speed), «MED LOW» or «MED HIGH» in heating, depending on ventilation needs.





5. Appendix 2 – Wiring diagram

