

MAINTENANCE GASKET KIT
(estimated usage two years)

CADDY ALTERNA FURNACE



Eco-Energy

at the heart of your home

CONTENT

This kit contains:

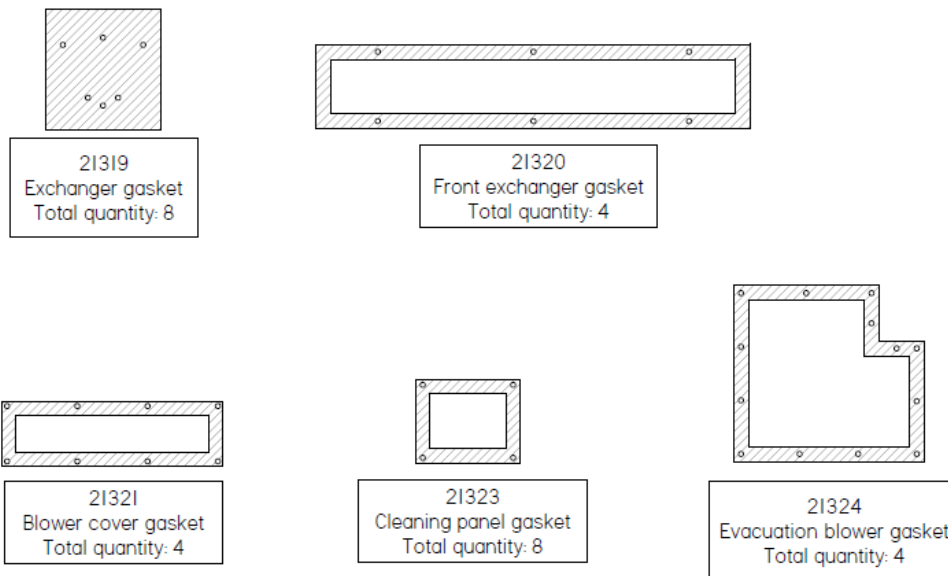


FIGURE 1

NOTE: Disconnect power before performing any maintenance or repairs on the furnace. Turning the furnace “off” does not disconnect all power from the furnace.

For a recommended maintenance schedule, please consult the owner’s manual

EXCHANGER GASKET (21319)

The gaskets are located on each side of the furnace (see figure 2). For each side, please follow these steps:

- 1- Remove the screws, the wing nut, the washer and the heat exchanger plate.
- 2- Remove the old gasket and clean the surfaces with a scraper.
- 3- Perform the maintenance then install the new gasket, the plate, the screws, the washer and the wing nut.

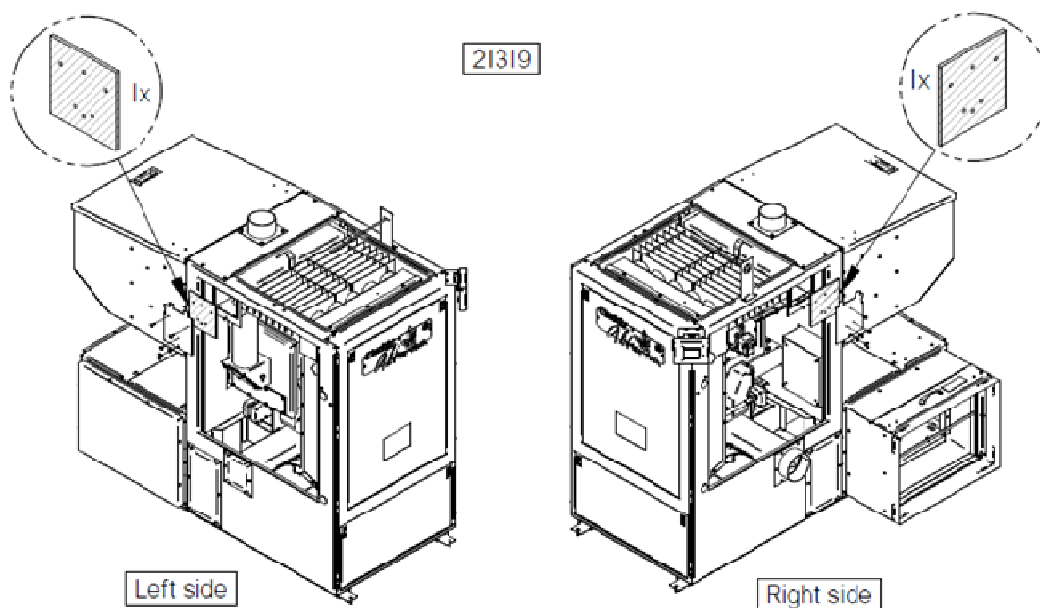


FIGURE 2

FRONT EXCHANGER GASKET (21320)

To replace the front exchanger gasket (see figure 3), follow these steps:

- 1- Remove the screws, the wing nut, the washer and the plate.
- 2- Remove the old gasket and clean the surfaces with a scraper.
- 3- Perform the maintenance then install the new gasket, the plate, the screws, the washer and the wing nut.

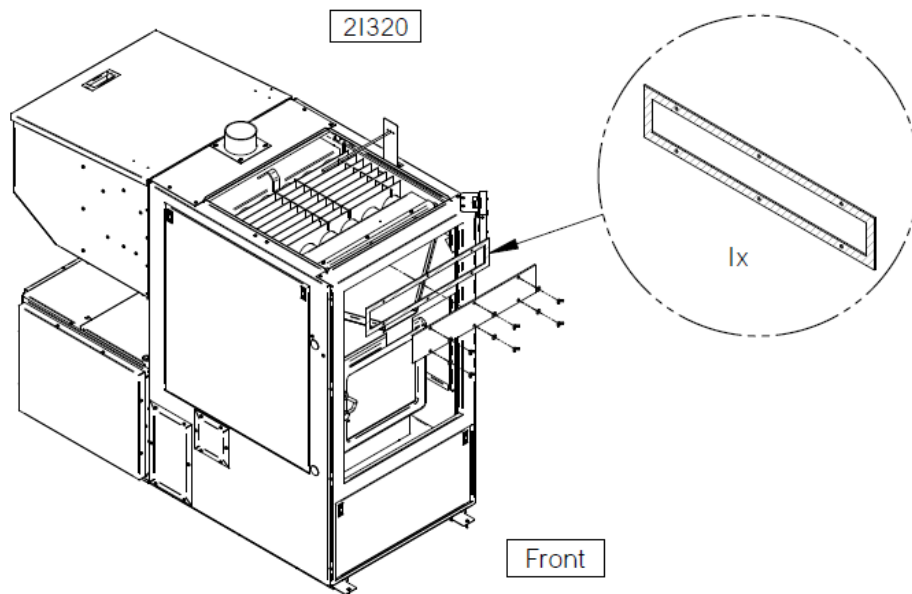


FIGURE 3

BLOWER ACCESS COVER GASKET (21321)

To replace the blower access cover gasket (see figure 4), follow these steps:

- 1- Remove the screws and the plate located on left side of the appliance.
- 2- Remove the old gasket and clean the surfaces with a scraper.
- 3- Perform the maintenance then install the new gasket, the plate and the screws.

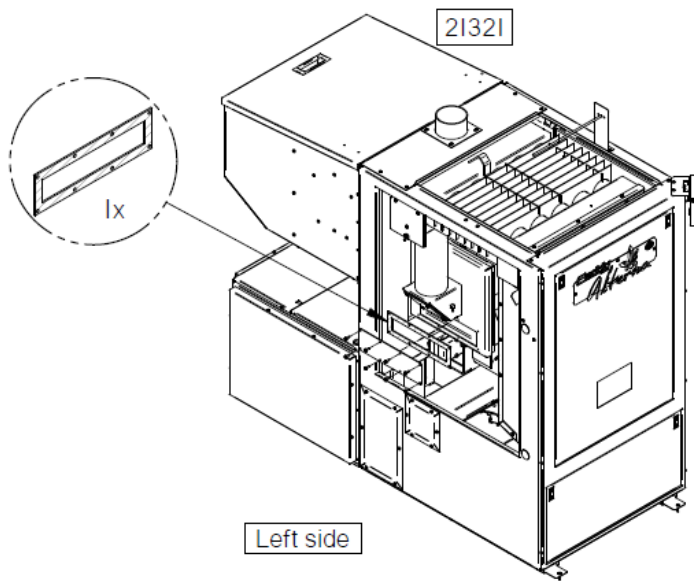


FIGURE 4

CLEANING PANEL GASKET (21323)

The cleaning panel gaskets are located on each side of the appliance (see figure 5). For each side, please follow these steps:

- 1- Remove the screws and the plate.
- 2- Remove the old gasket and clean the surfaces with a scraper.
- 3- Perform the maintenance then install the new gasket, the plate and the screws.

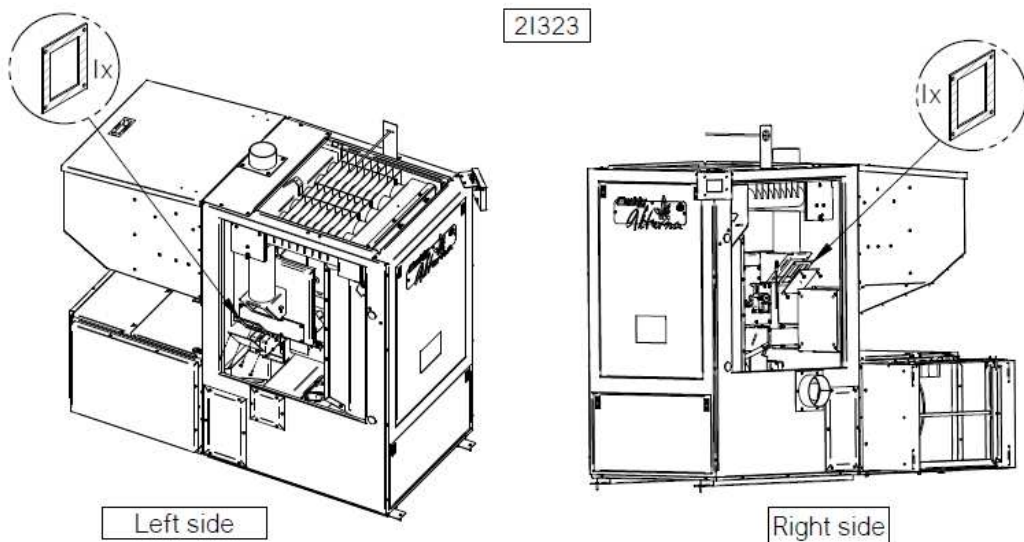


FIGURE 5

EXHAUST BLOWER GASKET (21324)

To replace the exhaust blower gasket (see figure 6), follow these steps:

- 1- Disconnect the wiring of the blower.
- 2- Remove the screws and the plate with the blower.
- 3- Remove the old gasket and clean the surfaces with a scraper.
- 4- Perform the maintenance then install the new gasket, the plate with the motor and screws.
- 5- Connect the wiring to the blower.

