

OPTIONAL OIL BURNER INSTALLATION

MAX CADDY FURNACE



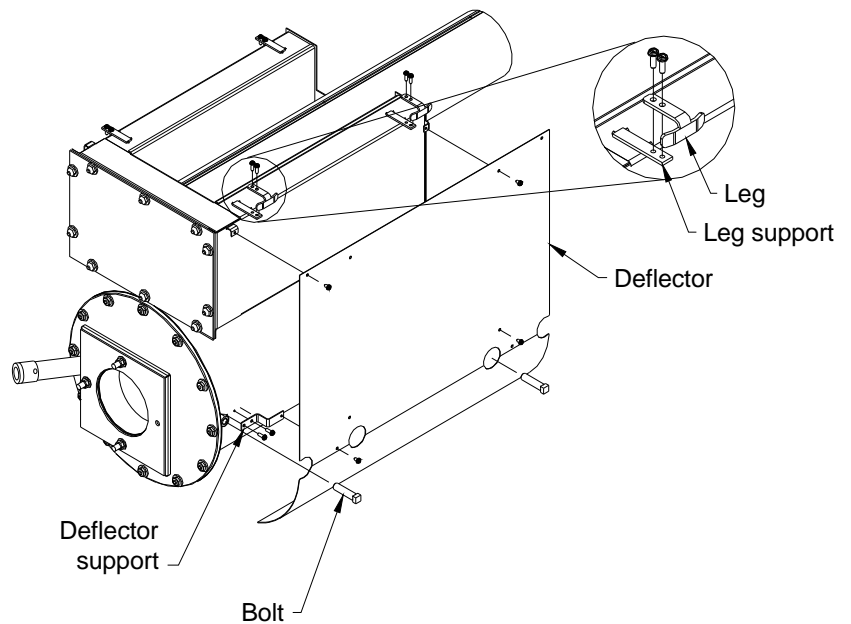
OPTIONAL OIL BURNER INSTALLATION

Your Max Caddy furnace can be equipped with an optional oil burner. This option can be installed on either side of your furnace. It's important to note that the default configuration of your furnace features the oil burner installed on the right side of your furnace. On the other hand, you can also install the burner on the left your furnace. When you install the burner on the left side of your furnace, the installation procedure requires additional steps.

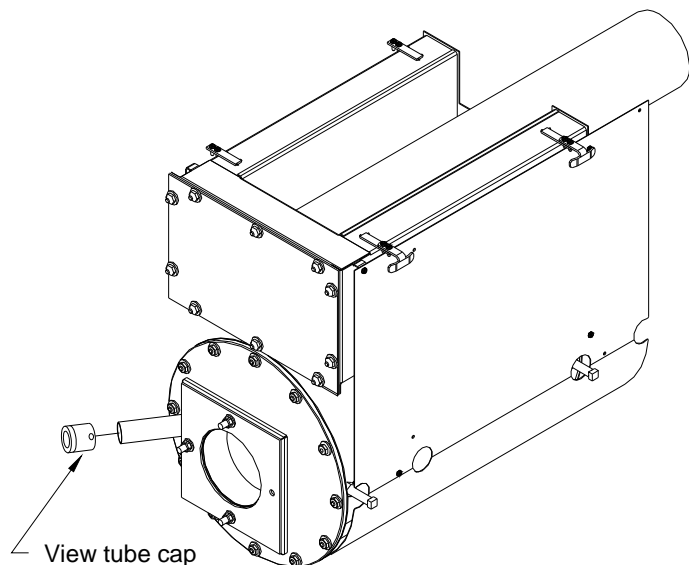
Please note that the installation is carried out in an identical way for both Beckett and Riello burners.

RIGHT SIDE INSTALLATION

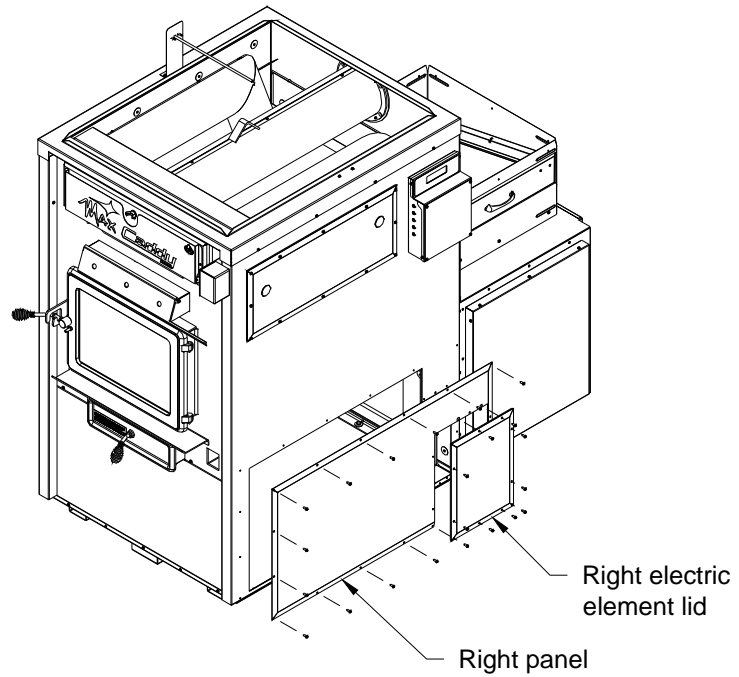
Step 1: To prepare the optional oil burner, unscrew the screws fixed on the leg supports. Then, use the same screws to secure the two legs (supplied with the optional oil burner) on the leg supports. Remove the screws already secured to the firebox and use them to install the deflector support onto the firebox. Secure the deflector using 4 screws and screw the two bolts (these items are supplied with option) to the nuts welded on the oil burner as showed on the right.



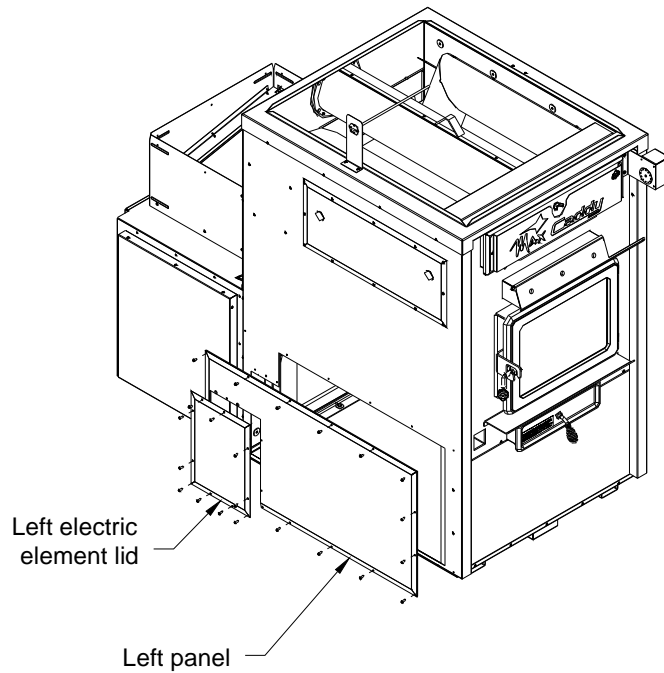
Step 2: Remove the view tube cap. In order to do so, partially unscrew the screw maintaining it in place.



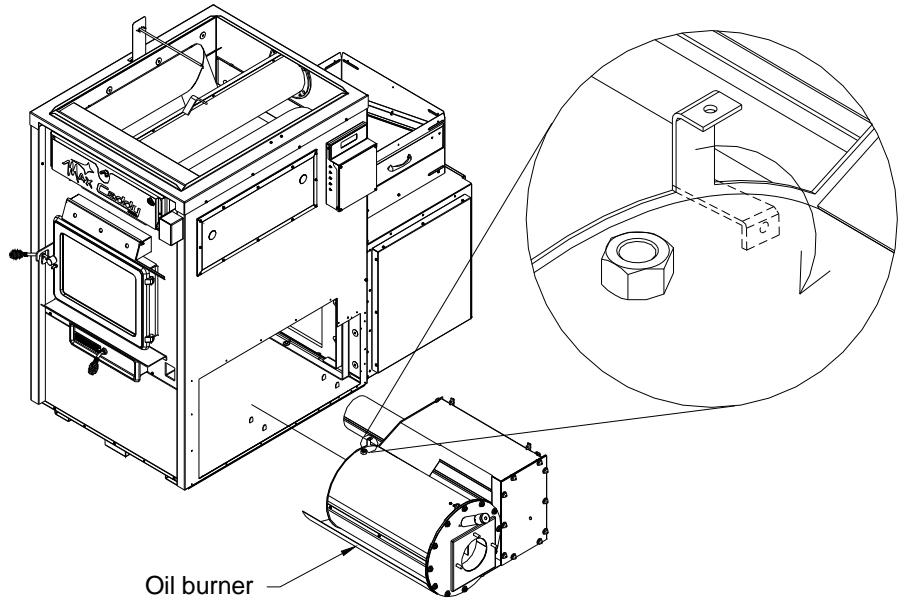
Step 3: Remove the right electric element lid and the right panel located at the right of the furnace by unscrewing the screws maintaining them in place. Keep these screws.



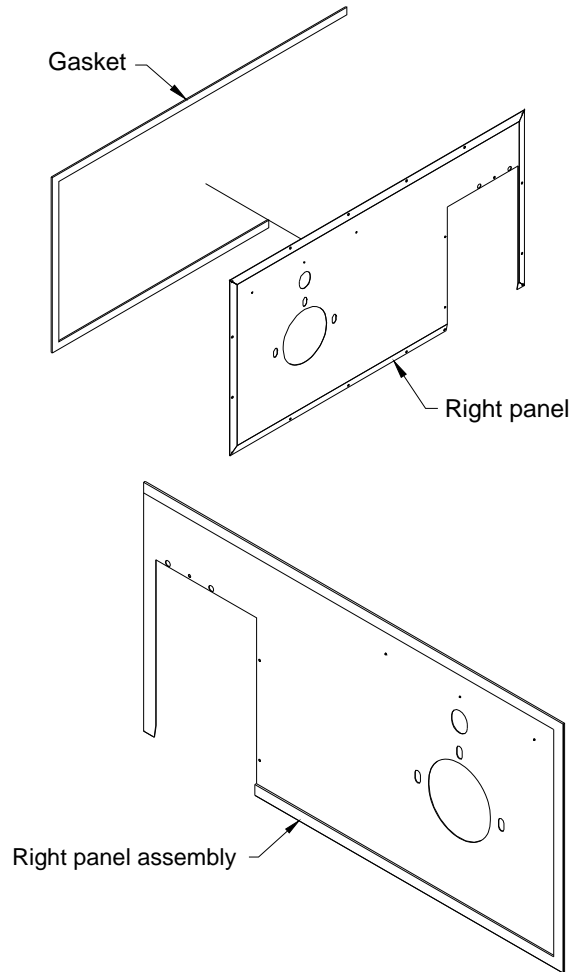
Step 4: Remove the left electric element lid and the left panel located at the left of the furnace by unscrewing the screws maintaining them in place. Keep these screws.



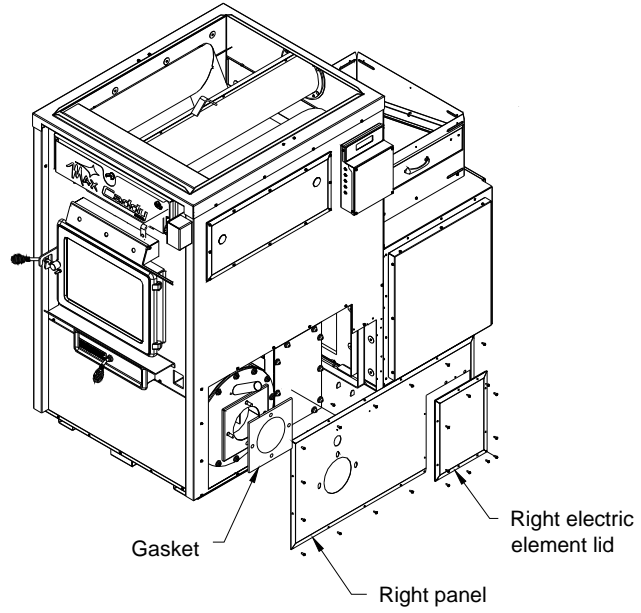
Step 5: Before installing the oil burner inside the furnace, it is important to fold the leg located on the firebox of the oil burner as shown on the right. Fold the leg at a 90° angle towards the firebox. Make sure that the option is on level once inside the unit.



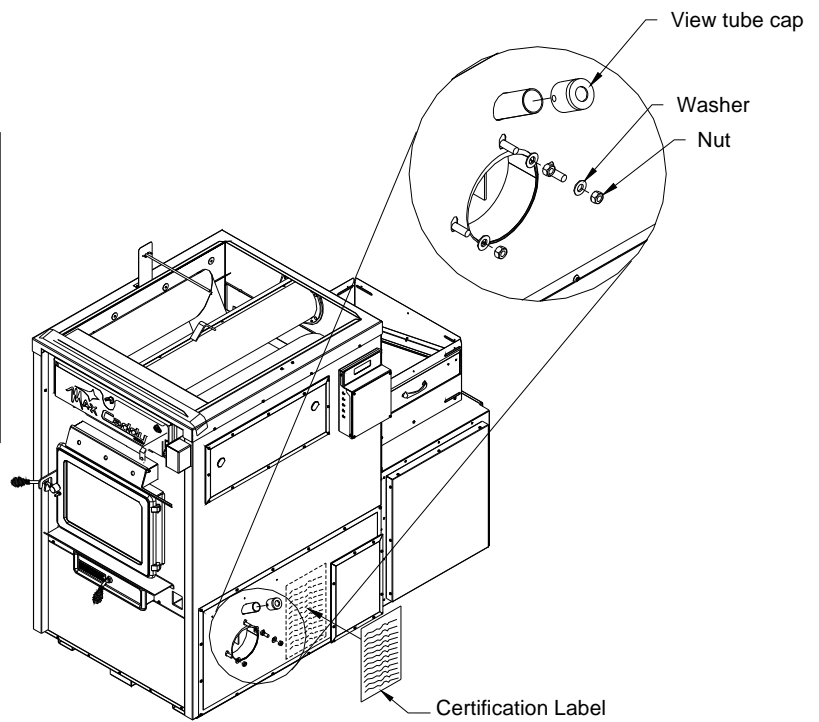
Step 6: Install the gasket on the right panel. The gasket is supplied with the oil burner option.



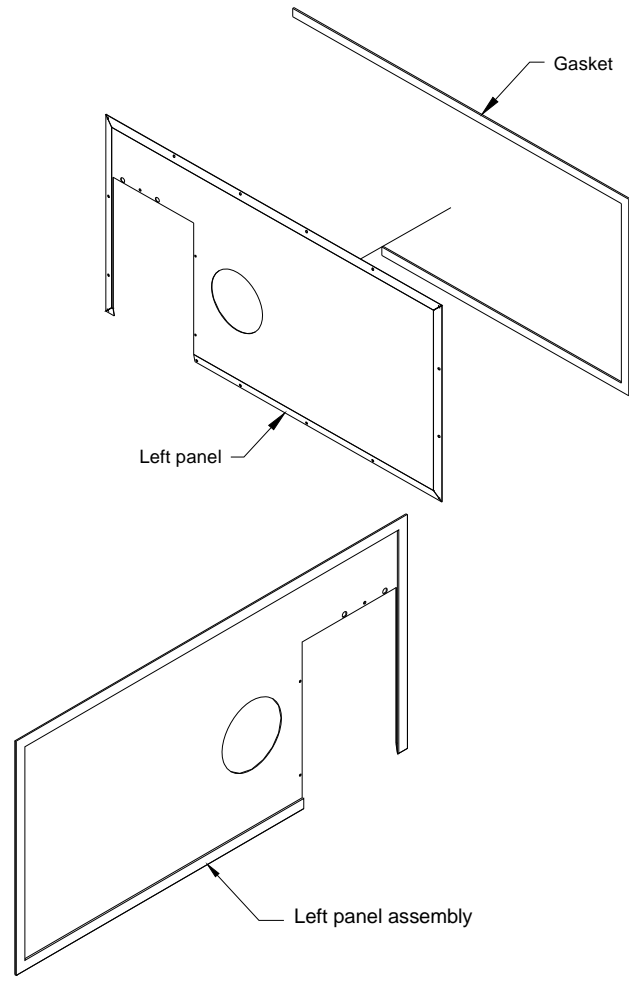
Step 7: Before installing the right panel, put the gasket on the oil burner. Secure the right panel using the screws. Secure the right electric element lid back in place using the screws you kept from Step 3.



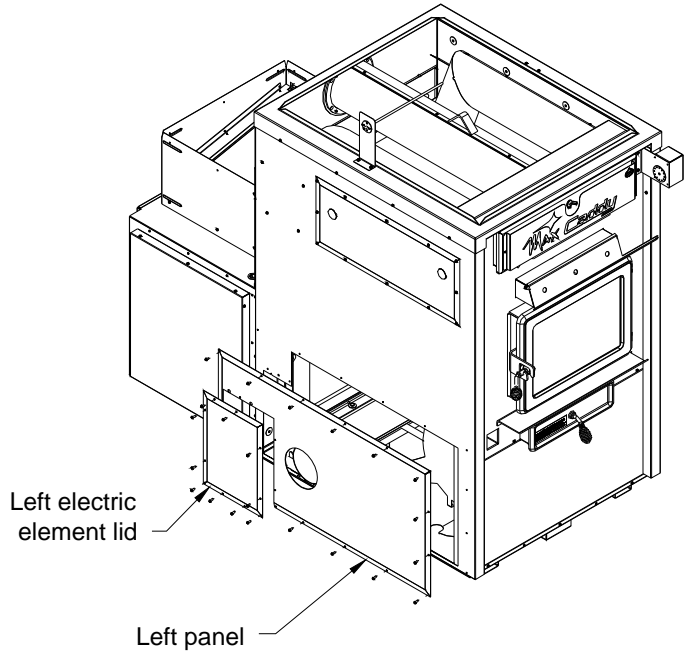
Step 8: Put the view tube cap back in place. Install the oil burner using nuts and washers supplied with the option as shown on the right. It is important to stick the certification label next to the burner.



Step 9: Install the gasket on the left panel. The gasket is supplied with the oil burner option.



Step 10: Secure the left panel using the screws. Secure the left electric element lid back in place using the screws that you kept from Step 4.

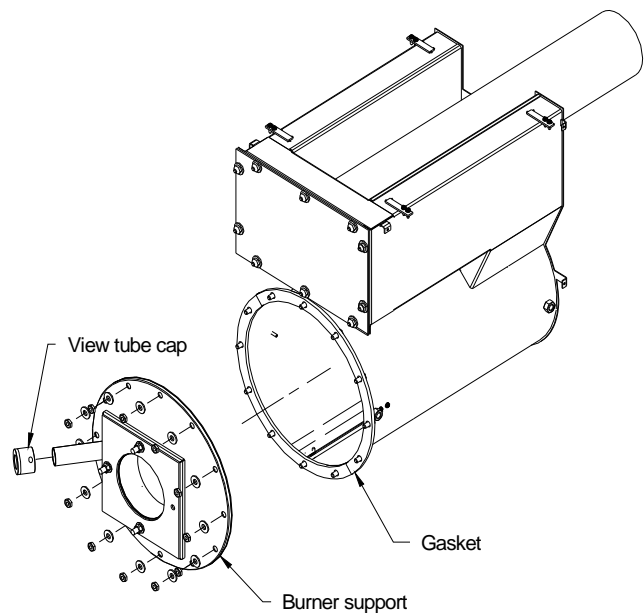


LEFT SIDE INSTALLATION

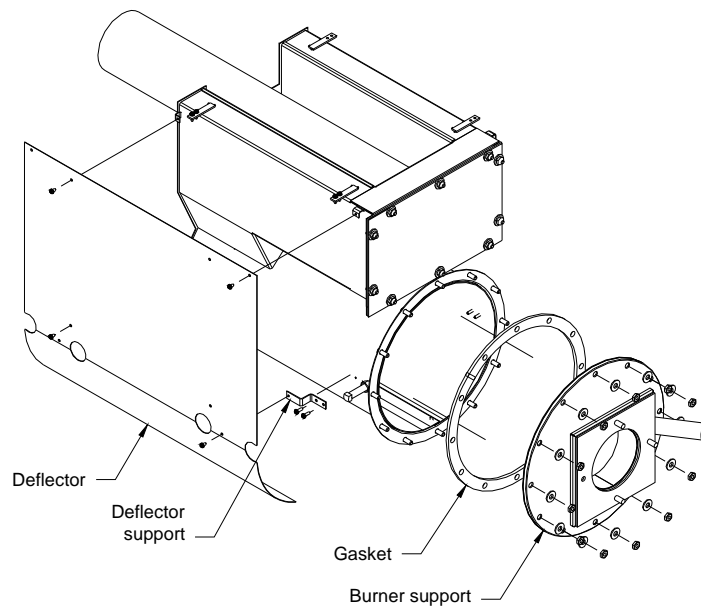
It is important to note that the default configuration of your furnace features the oil burner installed on the right side of your furnace. On the other hand, you can also install the burner on the left your furnace. When you install the burner on the left side of your furnace, the installation procedure requires additional steps.

Please note that the installation is carried out in an identical way for both Beckett and Riello burners.

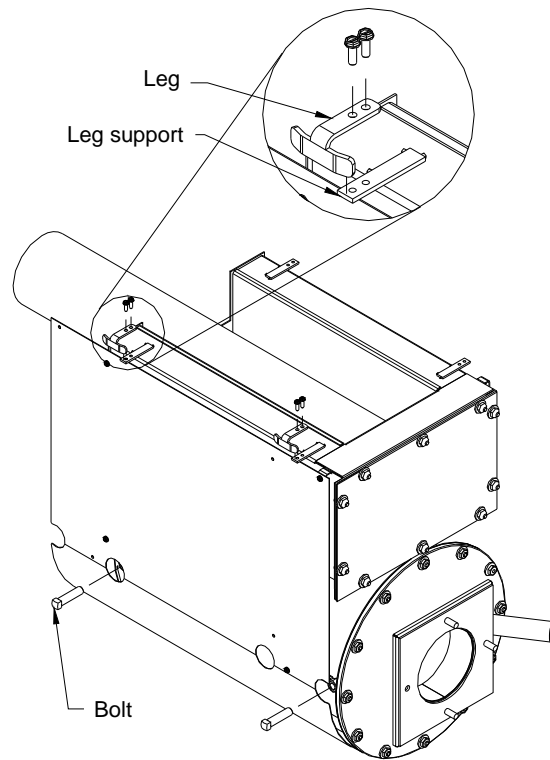
Step 1: Remove the deflector support, the oil burner support and the view tube cap. The deflector support is secured by screws while the burner support is secured by nuts and washers. Keep the screws and the nuts. Make sure that the gaskets stay in place when the oil burner support is removed.



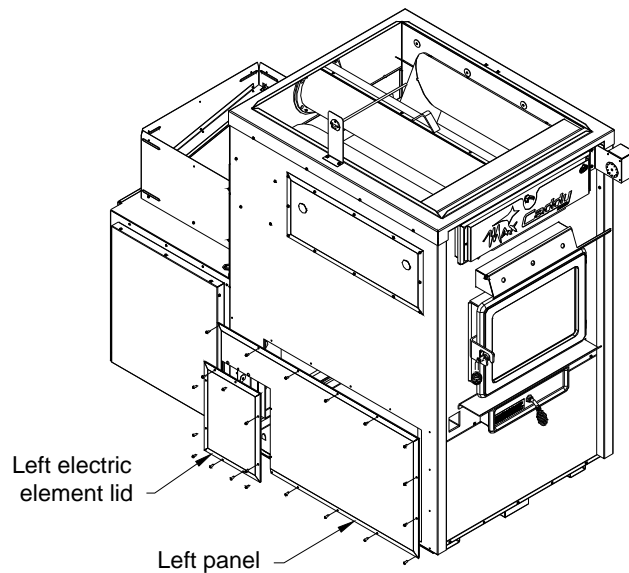
Step 2: You must reinstall the parts removed in Step 1 on the other side of the oil burner. In order to do so, first install the gasket on the firebox of the oil burner. Then, secure the burner support onto the firebox using the nuts and washers removed in Step 1. Remove the screws already secured to the firebox and use them to install the deflector support onto the firebox. Install the deflector and secure it in place using 4 screws. The screws and the deflector are supplied with the oil burner option.



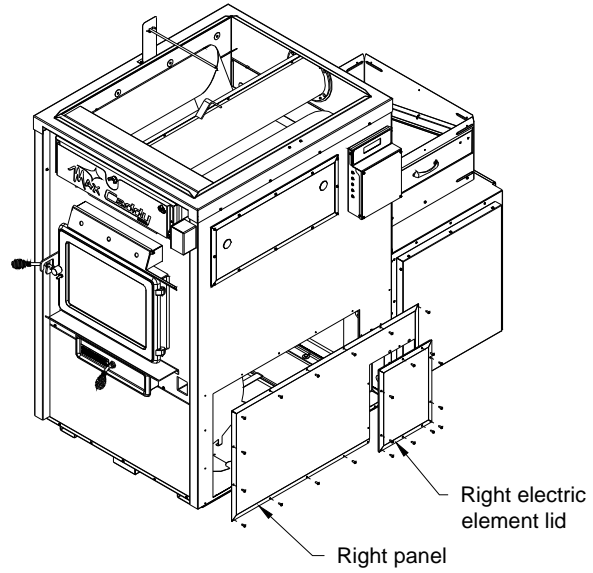
Step 3: Remove the screws from the two leg supports. Then, use the same screws to secure the legs (supplied with the oil burner option) to the leg supports. Screw the two bolts (supplied with the oil burner option) in the nuts welded to the oil burner as shown on the right.



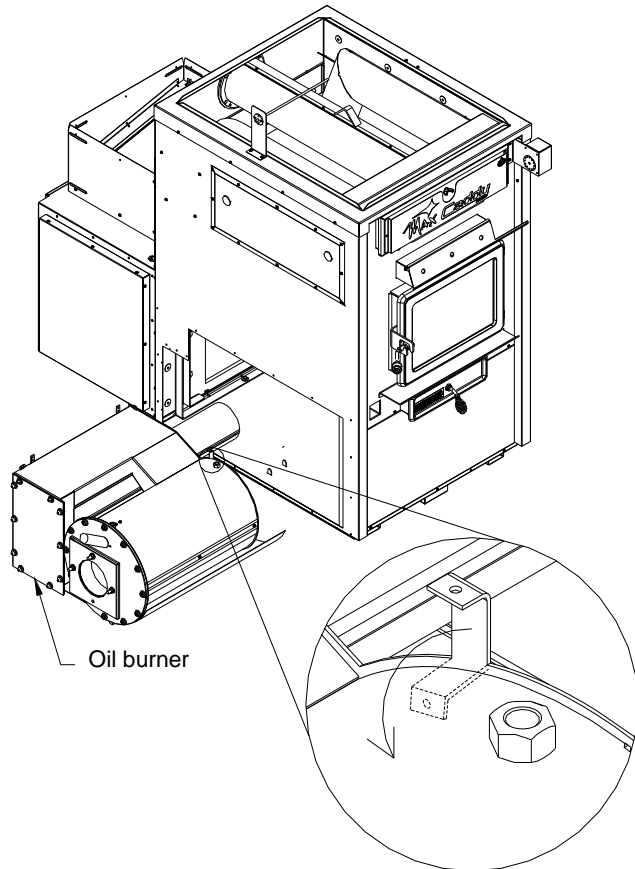
Step 4: Remove the left electric element lid and the left panel located at the left of the furnace by unscrewing the screws maintaining them in place. Keep these screws.



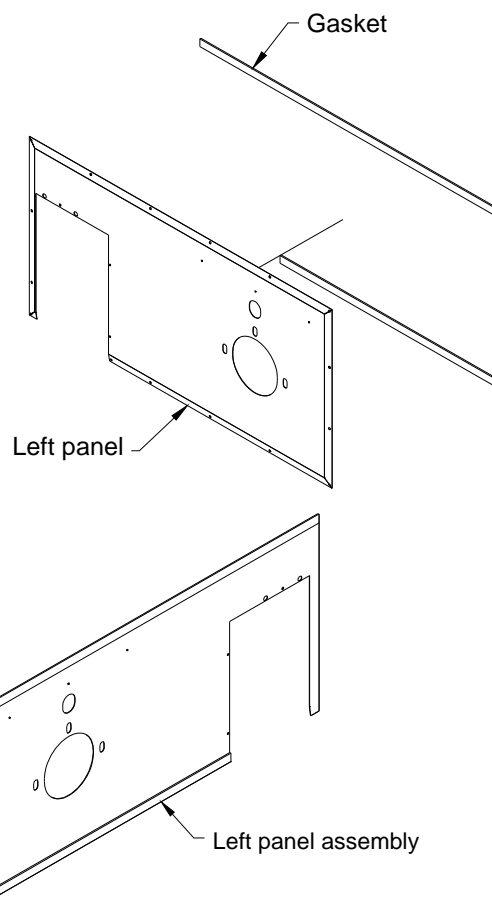
Step 5: Remove the electric element lid and the right panel located at the right of the furnace by unscrewing the screws maintaining them in place. Keep the screws.



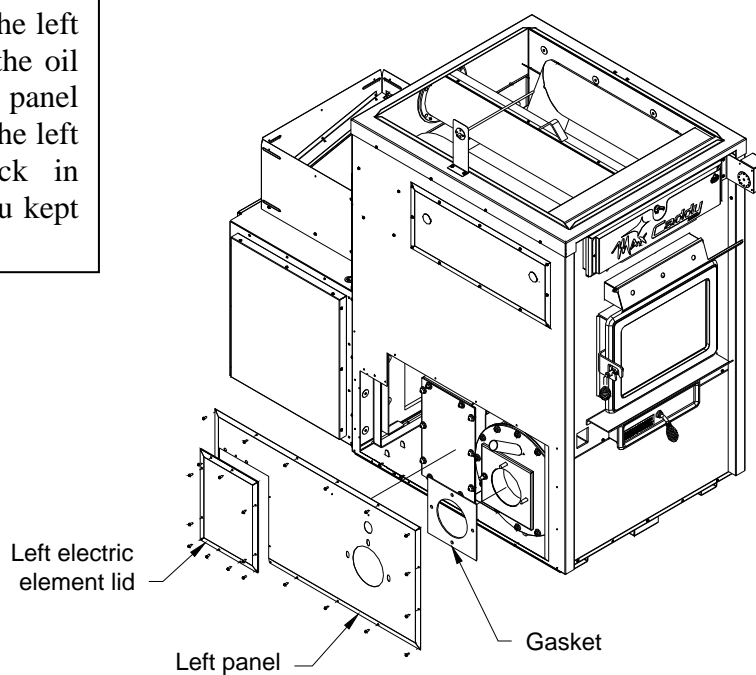
Step 6: Before installing the oil burner inside the furnace, it is important to fold the leg located on the firebox of the oil burner as shown on the right. Fold the leg at a 90° angle towards the firebox.



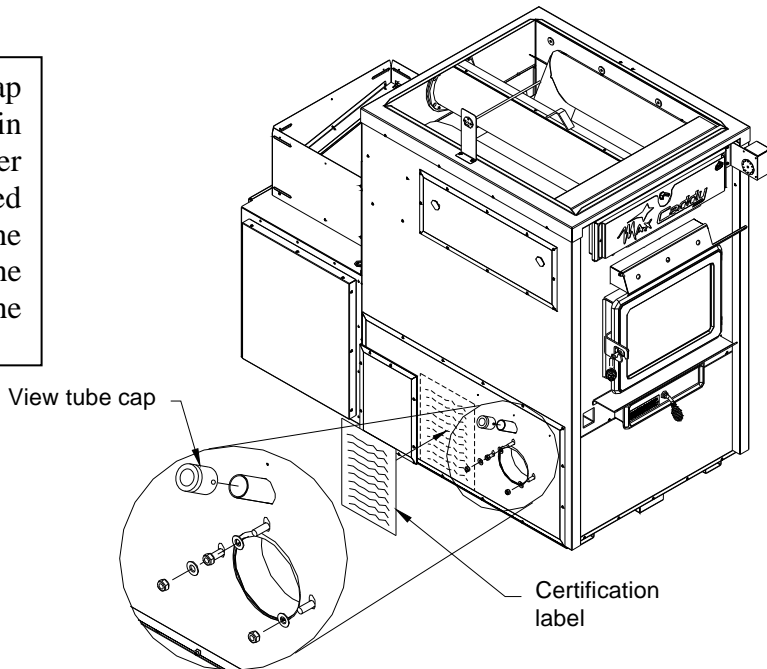
Step 7: Install the gasket on the left panel. The gasket is supplied with the oil burner option.



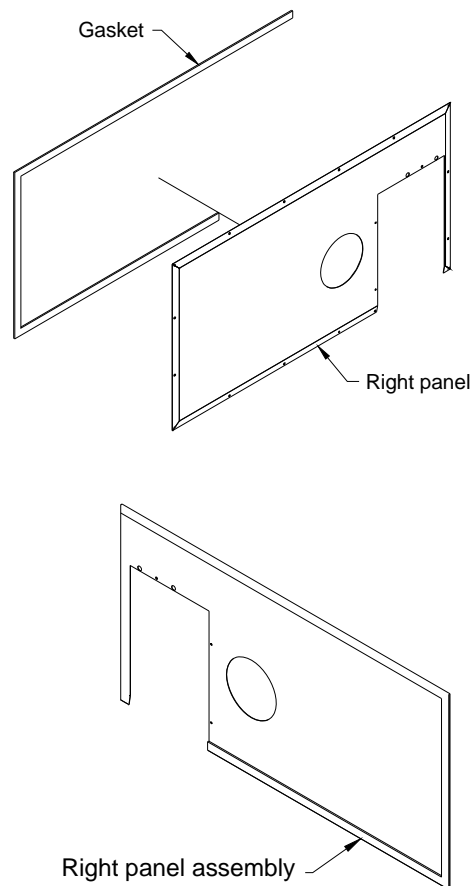
Step 8: Before installing the left panel, put the gasket on the oil burner. Secure the left panel using the screws. Secure the left electric element lid back in place using the screws you kept from Step 4.



Step 9: Put the view tube cap back in place (it was removed in Step 1). Install the oil burner using nuts and washers supplied with the option as shown on the right. It is important to stick the certification label next to the burner.



Step 10: Install the gasket on the right panel. The gasket is supplied with the oil burner option.



Step 11: Secure the right panel using the screws. Secure the right electric element lid back in place. It was removed in Step 5.

