



TOP COLD AIR PLENUM KIT INSTALLATION INSTRUCTIONS

Step 1: Remove the four screws which retain the exhaust pipe on the rear panel of the furnace. You can dispose of these screws afterwards.

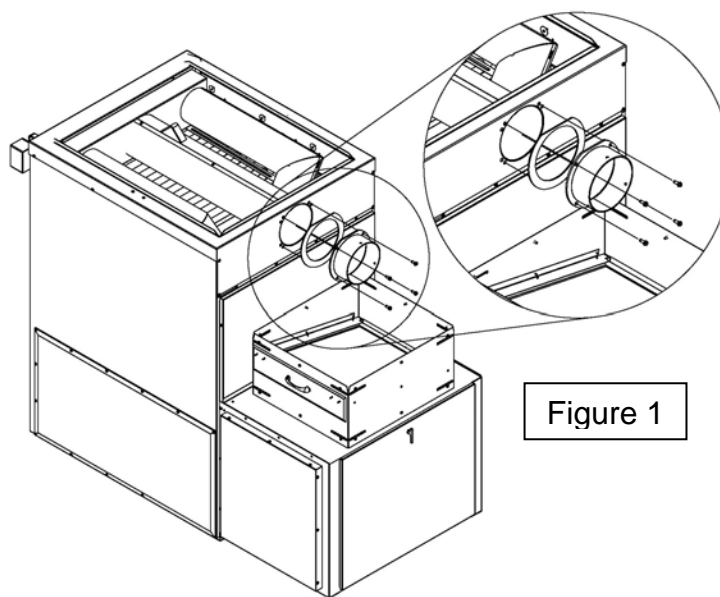


Figure 1

Step 2: Remove the four screws already installed on the cold air plenum support exhaust pipe. Keep these screws.

To avoid smoke spillage, make sure that the gasket is in place.

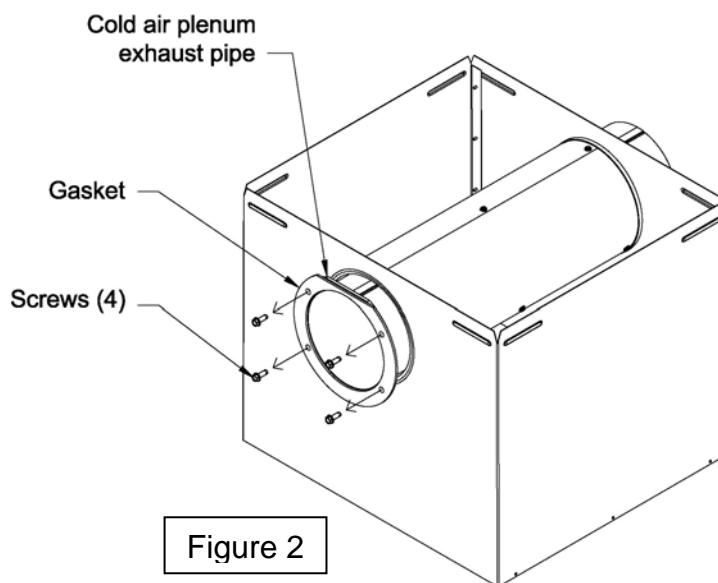
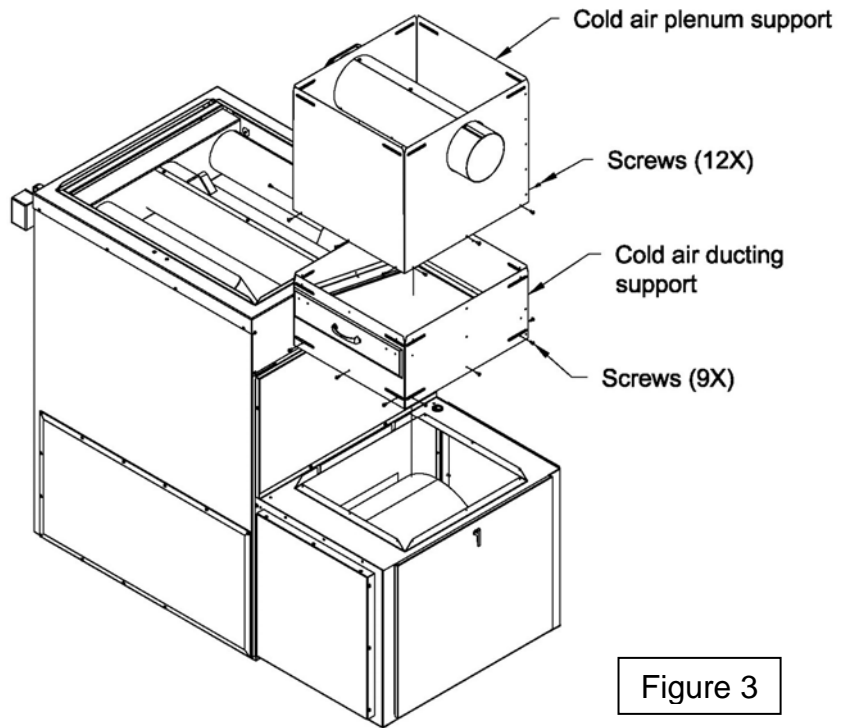


Figure 2

Step 3: Secure the cold air plenum support onto the cold air ducting support (gasket side towards the furnace) using the twelve screws supplied with the cold air plenum kit. Then, secure the assembly onto the blower box with 9 screws also provided in the kit.



Step 4: From the heat exchanger side of the furnace, align the holes of the cold air plenum exhaust pipe with the holes in the furnace exhaust pipe (see Figure 5) and secure the assembly using the four screws from step 2.

Warning: to avoid smoke spillage, make sure that the gasket of the cold air plenum exhaust pipe is flat, well positioned and rests firmly against the wall of the furnace.

